



MODELS AH/B/C/S

PARTS MANUAL

Rev 1.00A



CMA DISHMACHINES
12700 KNOTT AVENUE
GARDEN GROVE, CALIFORNIA 92841
800-854-6417
FAX 714-895-2141

TABLE OF CONTENTS

MODEL AH/B/C/S

1. PARTS MANUAL.....	3
1.1. INITIAL PARTS KIT (P/N 01100.20).....	3
1.2. EXPLODED VIEW DRAWINGS.....	4
1.2.1. Cabinet Assembly for Model AH.....	4
1.2.2. Cabinet Assembly for Model B.....	5
1.2.3. Cabinet Assembly For Model C.....	6
1.2.4. Control Box Assembly for Model AH,B and C.....	7
1.2.5. Door Actuator Assembly.....	8
1.2.6. Door Actuator Assembly for Model C.....	9
1.2.7. Pump Assembly For Model AH and C.....	10
1.2.8. Pump Assembly For Model B.....	11
1.2.9. Plumbing System Assembly for Model AH and C.....	12
1.2.10. Plumbing System Assembly for Model B.....	13
1.2.11. Spray System Assembly for Model AH.....	14
1.2.12. Spray System Assembly for Model B.....	15
1.2.13. Spray System Assembly for Model C.....	16
1.2.14. Spray Base Conversion Kit.....	17
1.2.15. Drain System Assembly for Model AH and C.....	18
1.2.16. Drain System Assembly for Model B.....	19
1.2.17. Peristaltic Pump Assembly.....	20
1.2.18. Unique Parts For Scullary AH.....	21
1.2.19. Unique Parts For Scullary B.....	22
1.2.20. Unique Parts For Scullary C.....	23
1.3. OPTIONAL SOLID BOWL.....	24
1.4. OPTIONAL SANI ALARM.....	25
1.5. TEMP-SURE HEATER.....	26

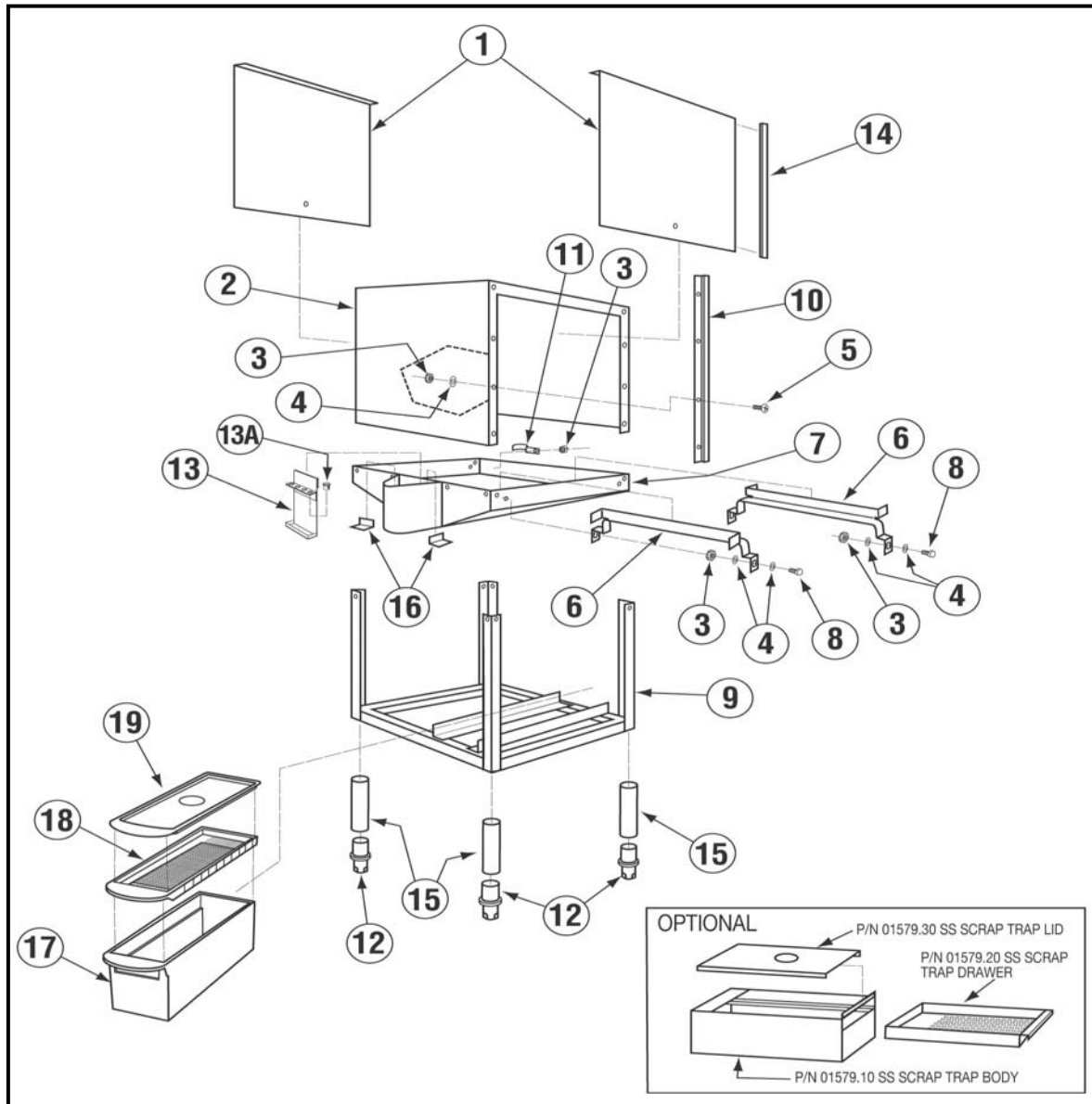
1. Parts Manual

1.1. Initial Parts Kit (P/N 01100.20)

P/N	DESCRIPTION	Qty
00100.00	Drain Ball Solenoid 120V	1
00120.00	Thermometer (Bi Metal)	1
00121.00	Drain Ball	1
00200.10	Pump Assy 110/220V 60Hz (Open)	1
00206.00	Pump Seal Kit	1
00304.03	Spray Arm B L1-C & L-1X	1
00304.06	Spray Arm A & C	1
00308.50	Spray Arm End Plug SS	1
00341.00	Spray Arm Bearing (Cleanable)	1
00363.00	Spray Base Lock Pin	1
00404.82	Mercury Contactor 120 VAC	1
00411.00	Micro Switch	1
00415.00	Peristaltic Pump Assy 120V/60hz	1
00418.00	Peristaltic Pump Cover	1
00421.40	Start/Fill switch	1
00433.00	Master Switch (30 Amp)	1
00435.00	Squeeze Tube 8" Silicone	1
00500.00	Timer Motor 90 Sec 110V/60Hz	1
00562.00	Roller Door Switch	1
00631.00	Ice Cube Relay 120V	1
00706.00	3/4 Water Solenoid Repair Kit JE	1
00715.00	1/2 Ball Check Valve	1
00735.00	3/4 Vac Breaker Rep Kit Watts	1
00738.10	Solenoid Coil JE 120V (3/4 & 1/2)	1

1.2. Exploded View Drawings

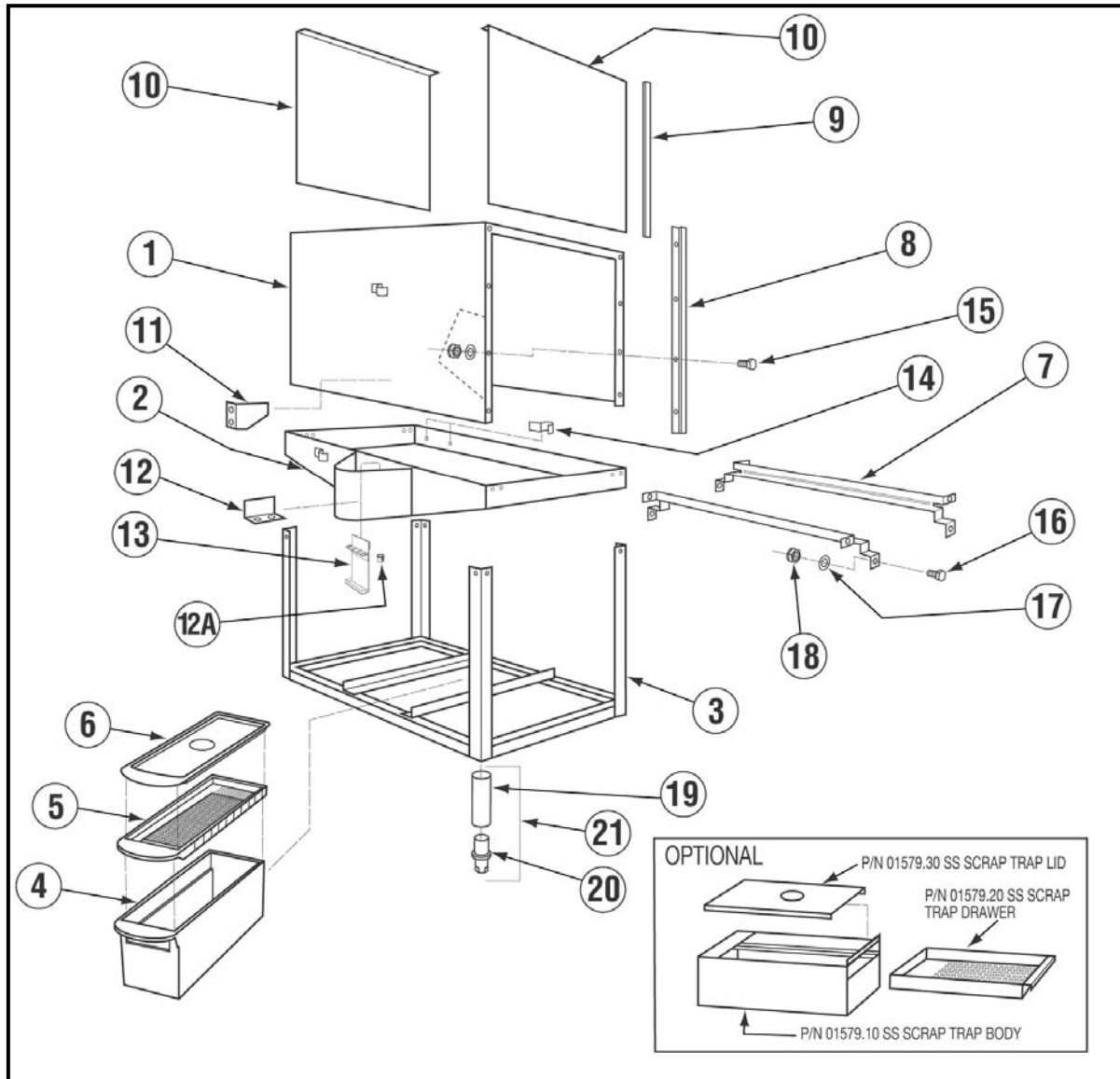
1.2.1. Cabinet Assembly for Model AH



ITEM NO.	NO. REQ'D	P/N	DESCRIPTION
1	2	01506.30	Door
2	1	01530.02	Wrapper
3	33	00912.00	1/4-20 Lock Nut
4	50	00926.00	SS Washer 1/4"
5	16	00905.00	1/4-20 x 1/2" Truss Head Bolt
6	1	01505.02	Tray Track (Set)
7	1	01531.02	Pan
8	17	00906.00	1/4-20 x 1/2" Hex Head Bolt
9	1	01532.52	Frame Stand
10	4	01554.30	EZ Glide Door Guide SS

ITEM NO.	NO. REQ'D	P/N	DESCRIPTION
11	3	00725.50	1/2" Plumbing Strap
12	4	01310.00	Bullet Foot
13	1	01558.20	Chemical Tube Support Bracket
13A	4	00427.00	Line Bracket Snap Bushing
14	4	00636.10	EZ Glide Plastic Guide
15	4	01572.10	SS Leg (A, AH, C, B)
16	2	01571.00	Drain Baffle
17	1	01577.10	Scrap Trap Body Molded
18	1	01577.20	Scrap Trap Drawer Molded
19	1	01577.25	Scrap Trap Lid Molded

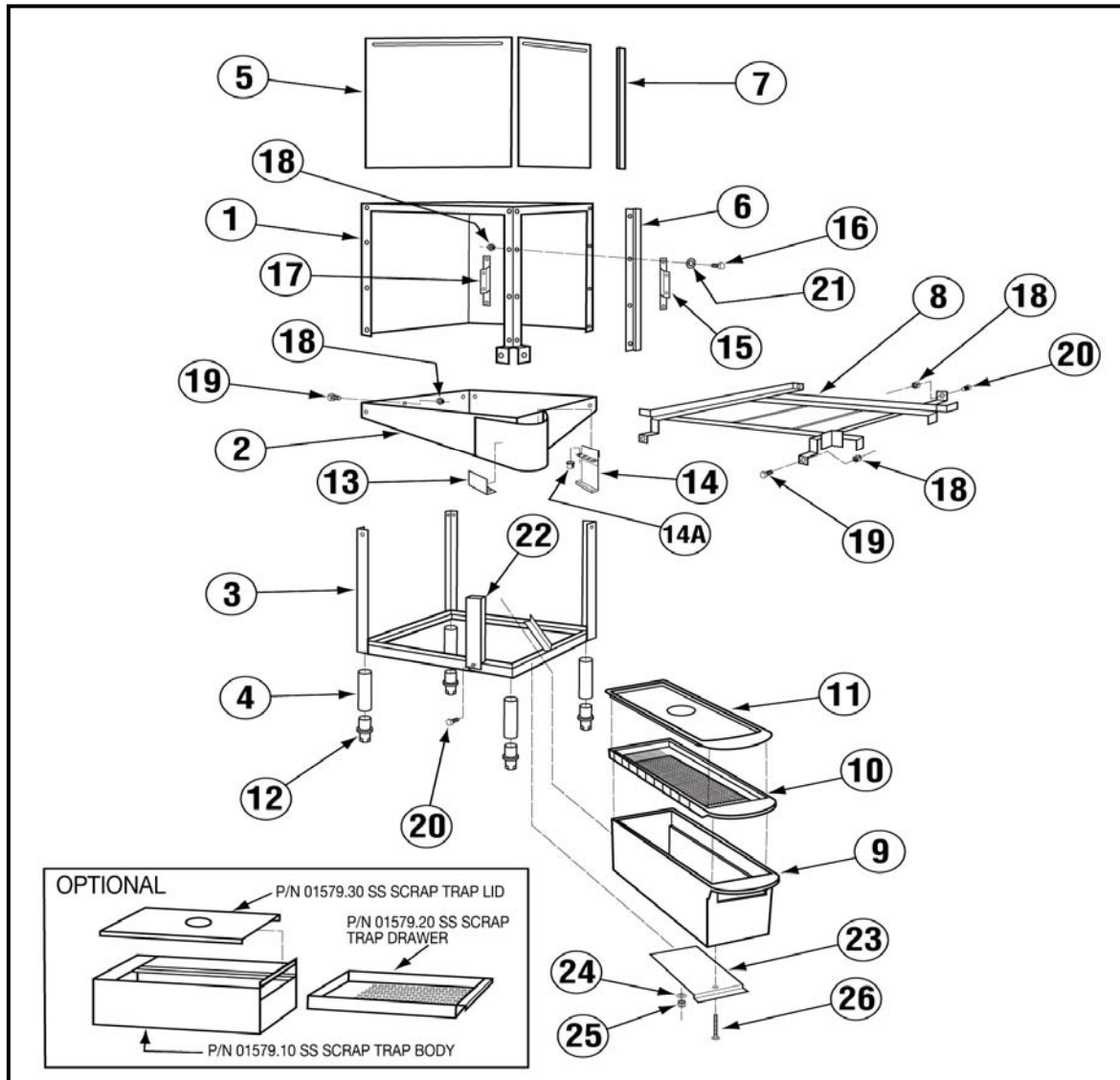
1.2.2. Cabinet Assembly for Model B



ITEM NO.	NO. REQ'D	P/N	DESCRIPTION
1	1	01530.03	Wrapper (TM-B)
2	1	01501.03	Pan Double (B)
3	1	01532.53	Stand TM-B (w/o Legs)
4	1	01577.10	Scrap Trap Body Molded
5	1	01577.20	Scrap Trap Drawer Molded
6	1	01577.25	Scrap Trap Lid Molded
7	1	01505.03	Tray Track B (Set of 2)
8	4	01554.30	EZ Glide Door Guide SS 21 1/8"
9	4	00636.10	EZ Glide Door Guide (Plastic)
10	2	01506.30	SS Door (A, B, C, M, CMA-44)
11	2	01505.13	Support Bracket for B Tray Track

ITEM NO.	NO. REQ'D	P/N	DESCRIPTION
12	2	01571.00	Drain Baffle
12A	4	00427.00	Snap Bushing 375-4
13	1	01558.20	Chemical Tube Support Bracket
14	3	00725.50	1/2" Plumbing Strap
15	16	00905.00	Trusshead Bolt 1/4"-20 x 1/2"
16	22	00906.00	Hex Head Bolt 1/4"-20 x 1/2"
17	72	00924.00	SS Washer, 1/4"
18	38	00912.00	SS Nylon Lock Nut, 1/4"
19	4	01572.10	SS Leg (A, AH, C, B)
20	4	01310.00	Bullet Foot
21	---	01145.00	Leg Assembly, 10" w/Bullet Foot

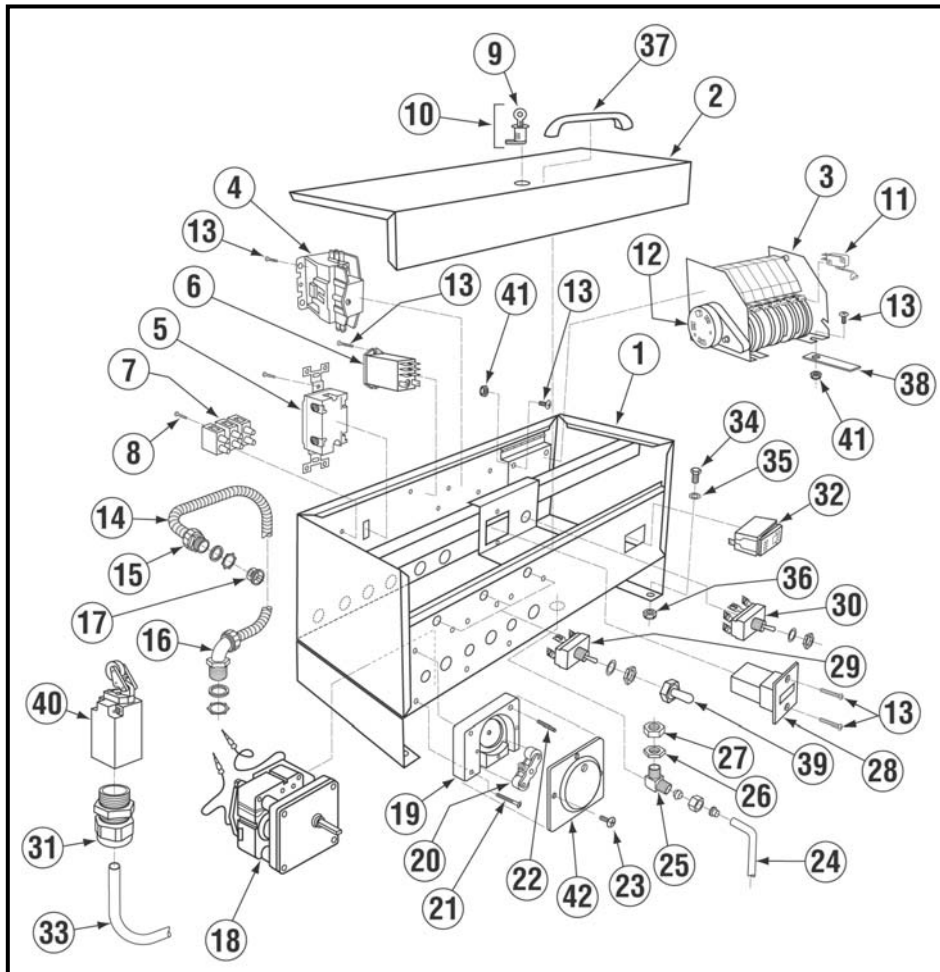
1.2.3. Cabinet Assembly For Model C



ITEM NO.	NO. REQ'D	P/N	DESCRIPTION
1	1	01500.14	Wrapper Corner (C)
2	1	01501.04	Frame Pan (C)
3	1	01532.54	Frame Stand
4	4	01572.10	Stand Legs (A, AH, C, B)
5	2	01506.30	Door A, B, C, M, CMA-44
6	4	01554.30	Door Guide SS 21 1/8"
7	4	00636.10	EZ Glide Door Guide (Plastic)
8	1	01505.04	Tray Track Corner
9	1	01577.10	Scrap Trap Body Molded
10	1	01577.20	Scrap Trap Drawer Molded
11	1	01577.25	Scrap Trap Lid Molded
12	4	01310.00	Bullet Feet
13	2	01571.00	Drain Baffle

ITEM NO.	NO. REQ'D	P/N	DESCRIPTION
14	1	01558.20	Chemical Tube Support Bracket
14A	4	00427.00	Line Bracket Snap Bushing
15	1	00101.10	Solenoid Bracket CRH
16	16	00905.00	Trusshead Bolt 1/4"-20 x 1/2"
17	1	00101.20	Solenoid Bracket CLH
18	34	00912.00	Nylon Lock Nut, 1/4"-20
19	12	00914.10	Hexhead Bolt 1/4"-20 x 5/8 "
20	12	01906.00	Hexhead Bolt 1/4"-20 x 1/2 "
21	68	00924.00	1/4" SS Washer
22	1	01570.14	Pan Support Bracket C
23	1	01577.50	Molded Scrap Trap Mount Bracket
24	1	00924.00	1/4" SS Washer
25	1	00912.00	1/4 x20 Nylon Lock Nut
26	1	00911.00	8-32x1/2 "Pan Head Screw

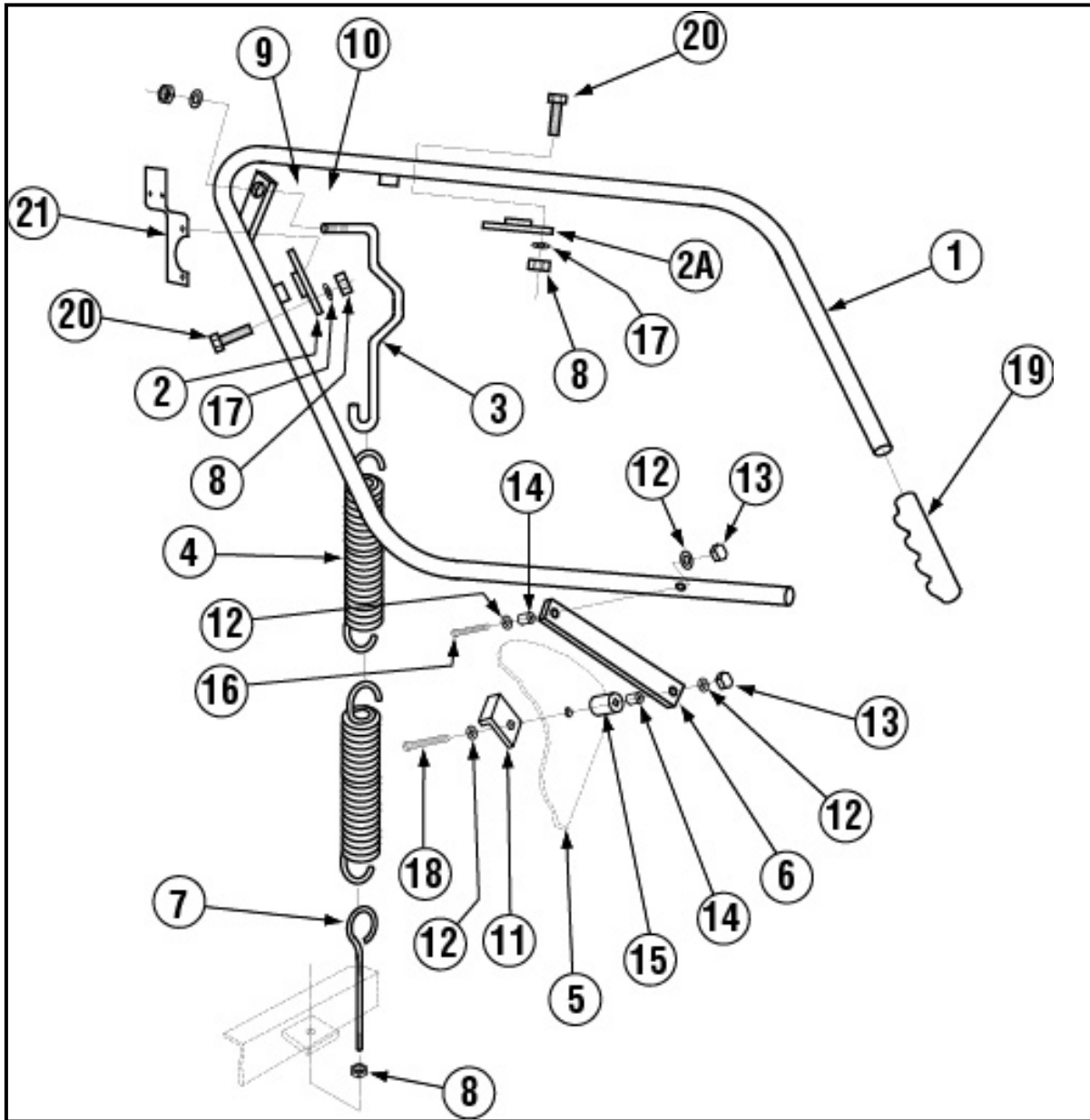
1.2.4. Control Box Assembly for Model AH,B and C



ITEM NO.	NO. REQ'D	P/N	DESCRIPTION
1	1	01503.14	Control Box Body AH-B-C
2	1	01504.14	Control Box Lid AH-B-C
3	1	00407.80	Timer 90 Sec 8 Cam 120V
4	1(2)	00404.82	Motor Contactor 120V AH/C (B)
5	1	00433.10	Master Switch (20Amp)
6	1	00631.00	Ice Cube relay 120V
7	1	00454.10	3 Pole Socket Terminal Block
8	1	13825.00	8-32 X 1" Pan Head Screw
9	1	00450.00	Key Only
10	1	00449.00	Lock and Key
11	8	00411.00	Microswitch
12	1	00500.00	Timer Motor 120V (For 90Sec Timer)
13	4	00911.50	8-32 X 3/8" Pan Head Screw
14	AR	00400.00	Conduit 3/8" Sealite
15	2	00401.00	St. Straight 3/8" Connector
16	4	00402.00	St. 90Deg 3/8" Connector
17	4	00438.00	Snap Bushing 875-11
18	3	00416.00	Peristaltic Pump Motor 120V
19	3	00417.00	Peristaltic Pump Block
20	3	00419.00	Peristaltic Pump Rotor
21	6	00919.00	8-32 X 1 1/2" Panhead Bolt

ITEM NO.	NO. REQ'D	P/N	DESCRIPTION
22	3	00918.00	8-32 X 1 1/2" Filister Bolt
23	12	00911.00	8-32 X 1/2" Panhead screw
24	1	00464.07	3/8" SS Tubing (For Solenoid Wire
25	1	00436.00	3/8" 90Deg Elbow Comp X Mip
26	1	00712.00	3/8" jamb Nut (Plated)
27	1	00712.30	3/8" jamb Nut (standard)
28	1	03408.50	Counter (Panel Mount) 120V
29	3	03470.00	Primer Switch (Momentary)
30	1	00475.00	Delimer Switch (DPDT 15Amp)
31	1	00562.60	Roller Switch Connector
32	1	00421.40	Start/Fill Switch (With light)
33	3FT	00546.00	Switch Cord
34	4	00914.00	1/4" -20 X 3/4" Hex Head Bolt
35	4	00922.00	1/4" Lock Star Washer
36	4	00912.00	1/4"-20 Nylon Lock Nut
37	1	00535.00	Control Box Lid Handle
38	1	01514.00	Timer Support Bar
39	4	00470.10	Toggle Switch Rubber Boot
40	1	00562.00	Roller Switch
41	1	00927.00	8-32 Nylon Lock Nut
42	3	00418.00	Peristaltic Pump Cover

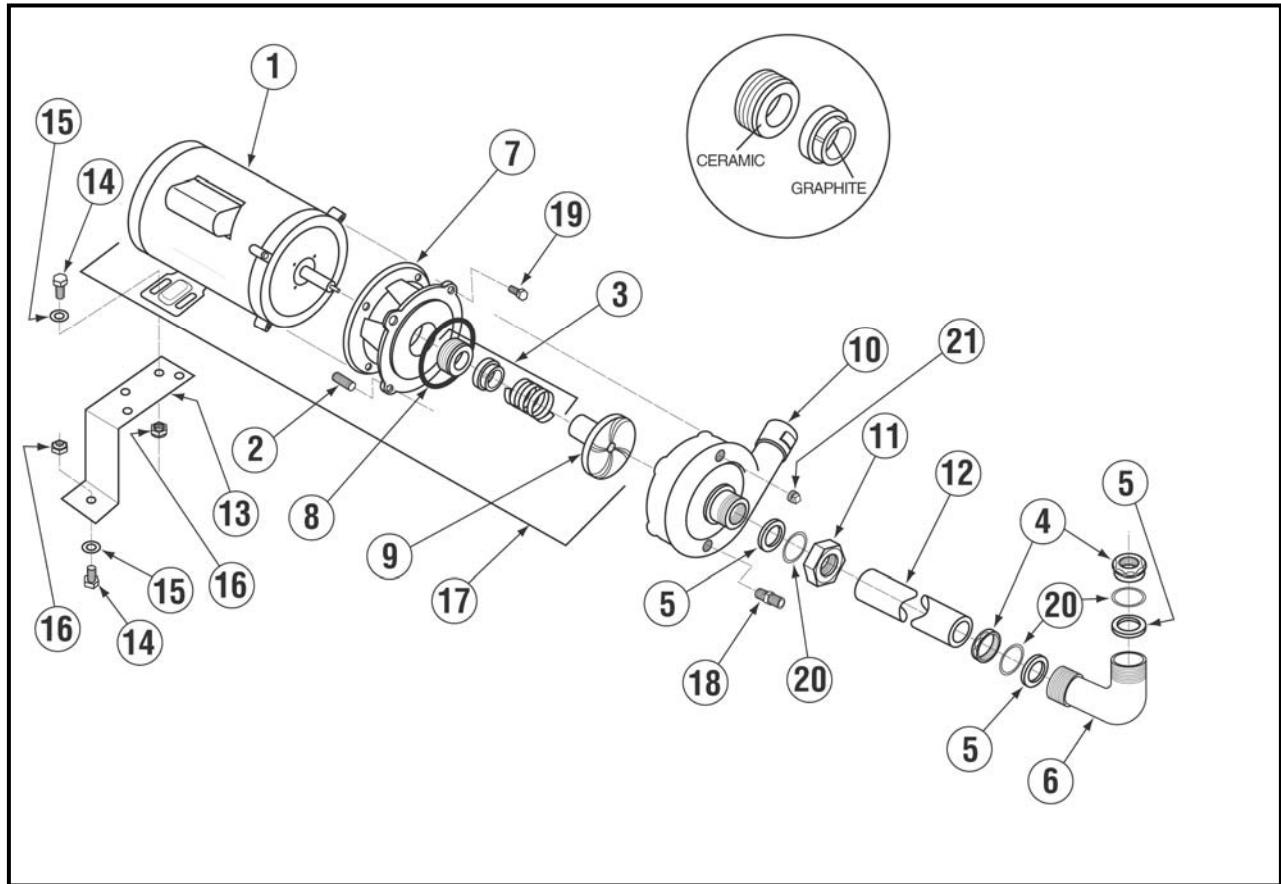
1.2.6. Door Actuator Assembly for Model C



ITEM NO.	NO. REQ'D	P/N	DESCRIPTION
1	1	00613.04	Door Handle
2	1	00619.34	Door Handle Mounting Plate, Long
2A	1	00619.44	Door Handle Mounting Plate, Short
3	1	00603.04	Extension Rod
4	2	00602.00	Door Spring
5	2	01506.30	Door (Cut Away)
6	2	01553.00	Door Handle Link
7	1	00606.00	5/16-18 x 7" Eyebolt
8	9	00913.00	5/16-18 Nut
9	9	00926.00	5/16 SS Washer
10	1	13805.00	5/16-18 Nylon Lock Nut

ITEM NO.	NO. REQ'D	P/N	DESCRIPTION
11	2	01552.00	Door Stop
12	6	00924.00	1/4" SS Washer
13	4	00912.00	1/4-20 Nylon Lock Nut
14	4	00610.00	Door Handle Spacer, Small
15	4	00611.00	Door Spacer, Large
16	2	00903.00	1/4-20 x 1-3/4" Hex Head Bolt
17	8	00926.00	5/16" SS Washer
18	2	00910.00	1/4-20 x 1-1/2" Hex Head Screw
19	2	00607.04	Door Handle Cap
20	8	00920.00	5/16-18 x 3/4" Hex Head Bolt
21	1	00563.20	Limit Switch Door Bracket

1.2.7. Pump Assembly For Model AH and C

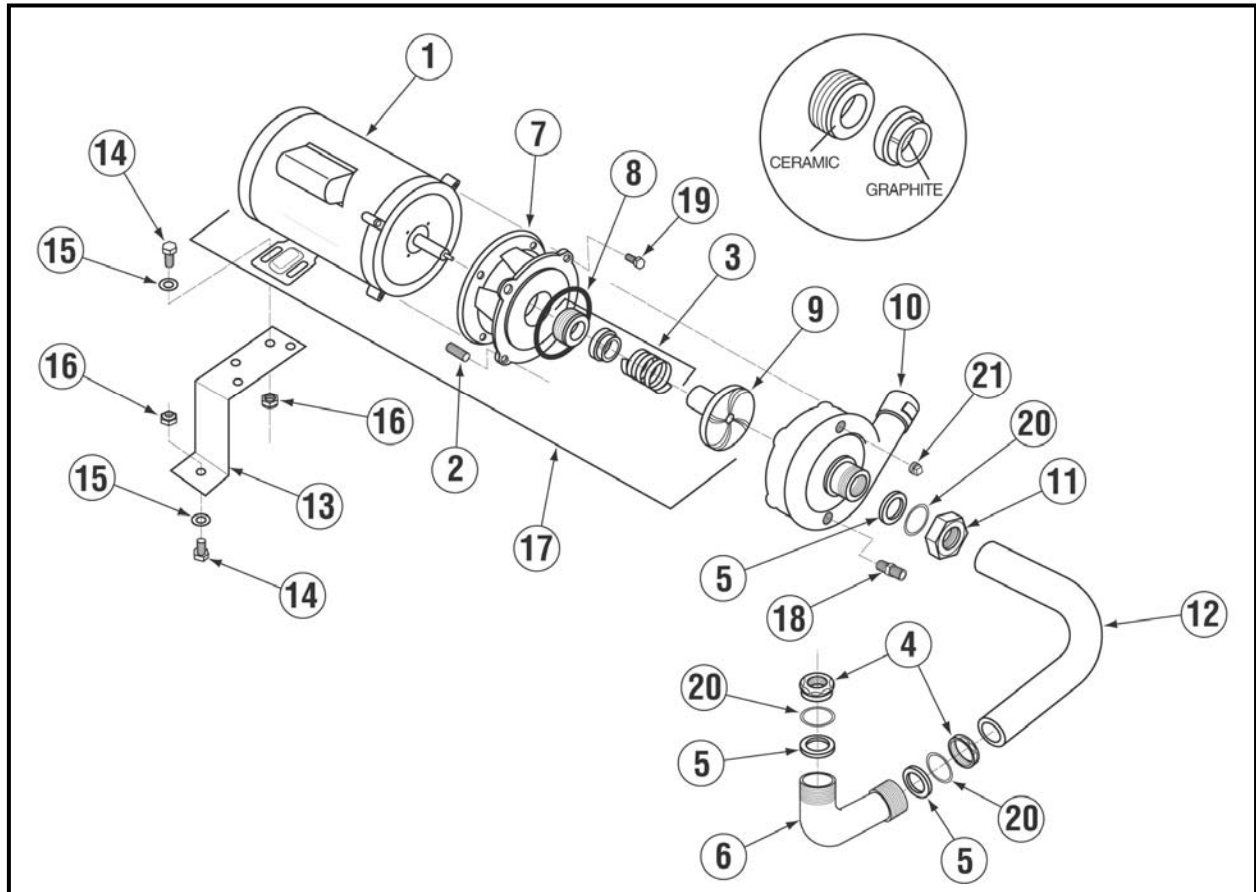


ITEM NO.	NO. REQ'D	P/N	DESCRIPTION
1	1	00201.00	Pump Motor, 1 HP
2	2	00975.00	3/8"-16 x 1 1/2" SS Stud
3	1	00206.00	Pump Seal Kit
4	2	00207.00	1 1/2" x 1 1/4" Slip Joint Nut
5	3	00208.00	Slip Joint Nut Gasket
6	1	00768.20	Pump Inlet Elbow SS Casting
7	1	03224.00	Pump Base Small
8	1	03226.00	Pump O-Ring
9	1	03222.05	Open Impeller
10	1	04206.00	Pump Cover, Small

ITEM NO.	NO. REQ'D	P/N	DESCRIPTION
11	1	04204.00	Compression Nut (2.5")
12	1	00246.01	Motor Suction Tube
13	1	13916.20	Motor Support Bracket
14	3	00906.00	1/4"-20 x 1/2" Hex Head Bolt
15	3	00924.00	1/4" SS Washer
16	3	00912.00	1/4"-20 Nylon Lock Nut
17*	1	00200.10	Pump Assy.
18	1	00214.50	1/2 Comp x 3/8" M.I.P. F.T.G.
19	6	00921.00	3/8"-16 x 3/4" SS Head Bolt
20	3	00208.20	Slip Joint Nut Friction Ring
21	1	00238.00	3/8 Mail Plug

*P/N 00200.10 includes items 1, 3, 7, 8, and 9 already assembled.

1.2.8. Pump Assembly For Model B

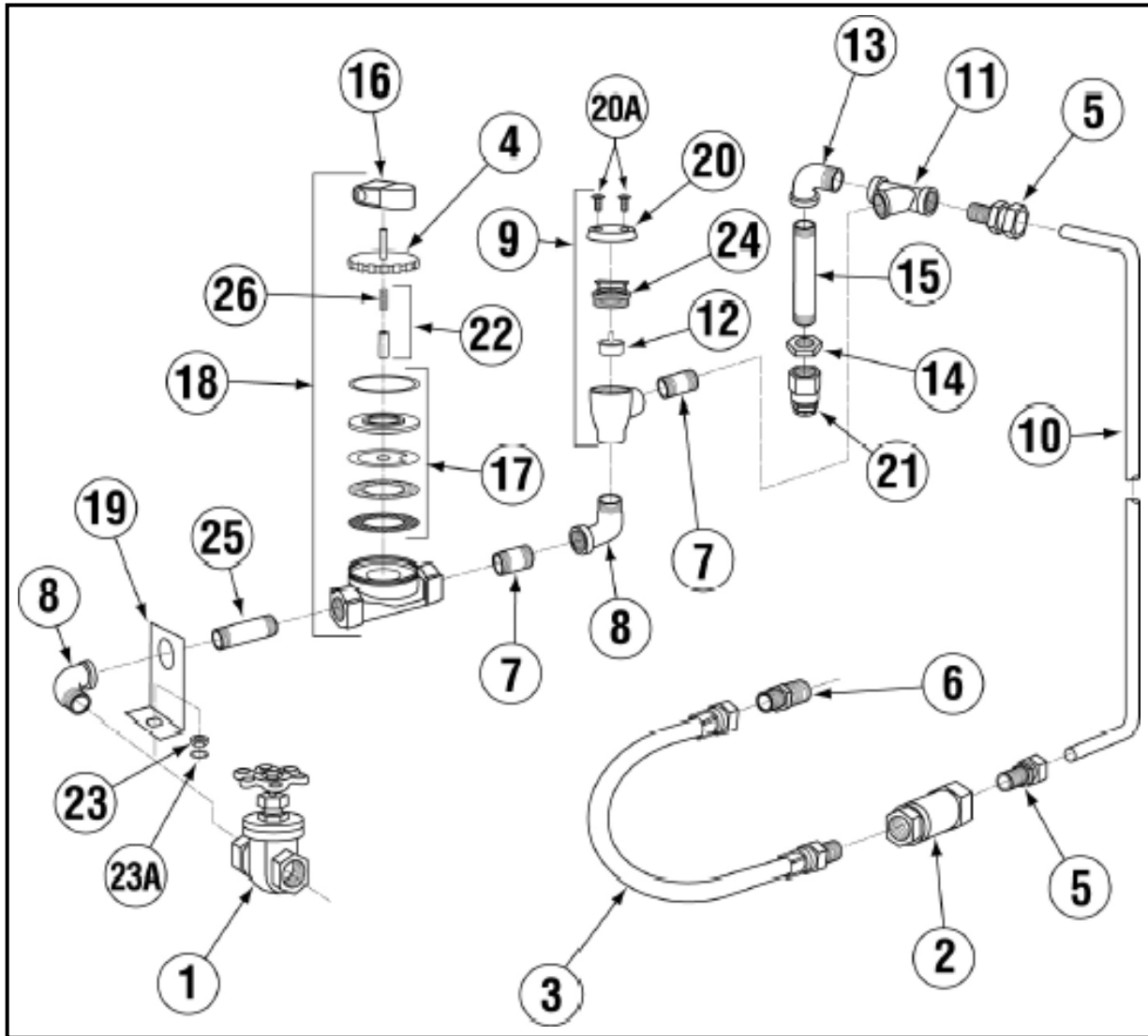


ITEM NO.	NO. REQ'D	P/N	DESCRIPTION
1	1	00201.00	Pump Motor, 1 HP
2	2	00975.00	3/8"-16 x 1 1/2" SS Stud
3	1	00206.00	Pump Seal Kit
4	2	00207.00	1 1/2" x 1 1/4" Slip Joint Nut
5	3	00208.00	Slip Joint Nut Gasket
6	1	00768.20	Pump Inlet Elbow SS Casting
7	1	03224.00	Pump Base Small
8	1	03226.00	Pump O-Ring
9	1	03222.05	Open Impeller
10	1	04206.00	Pump Cover, Small

ITEM NO.	NO. REQ'D	P/N	DESCRIPTION
11	1	04204.00	Compression Nut (2.5")
12	1	00246.23	Motor Suction Tube
13	1	13916.10	Motor Support Bracket
14	3	00906.00	1/4"-20 x 1/2" Hex Head Bolt
15	3	00924.00	1/4" SS Washer
16	3	00912.00	1/4"-20 Nylon Lock Nut
17*	1	00200.10	Pump Assy.
18	1	00214.50	1/2 Comp x 3/8" M.I.P. F.T.G.
19	6	00921.00	3/8"-16 x 3/4" SS Head Bolt
20	3	00208.20	Slip Joint Nut Friction Ring
21	1	00238.00	3/8" Mail Plug

*P/N 00200.10 includes items 1, 3, 7, 8, and 9 already assembled.

1.2.9. Plumbing System Assembly for Model AH and C



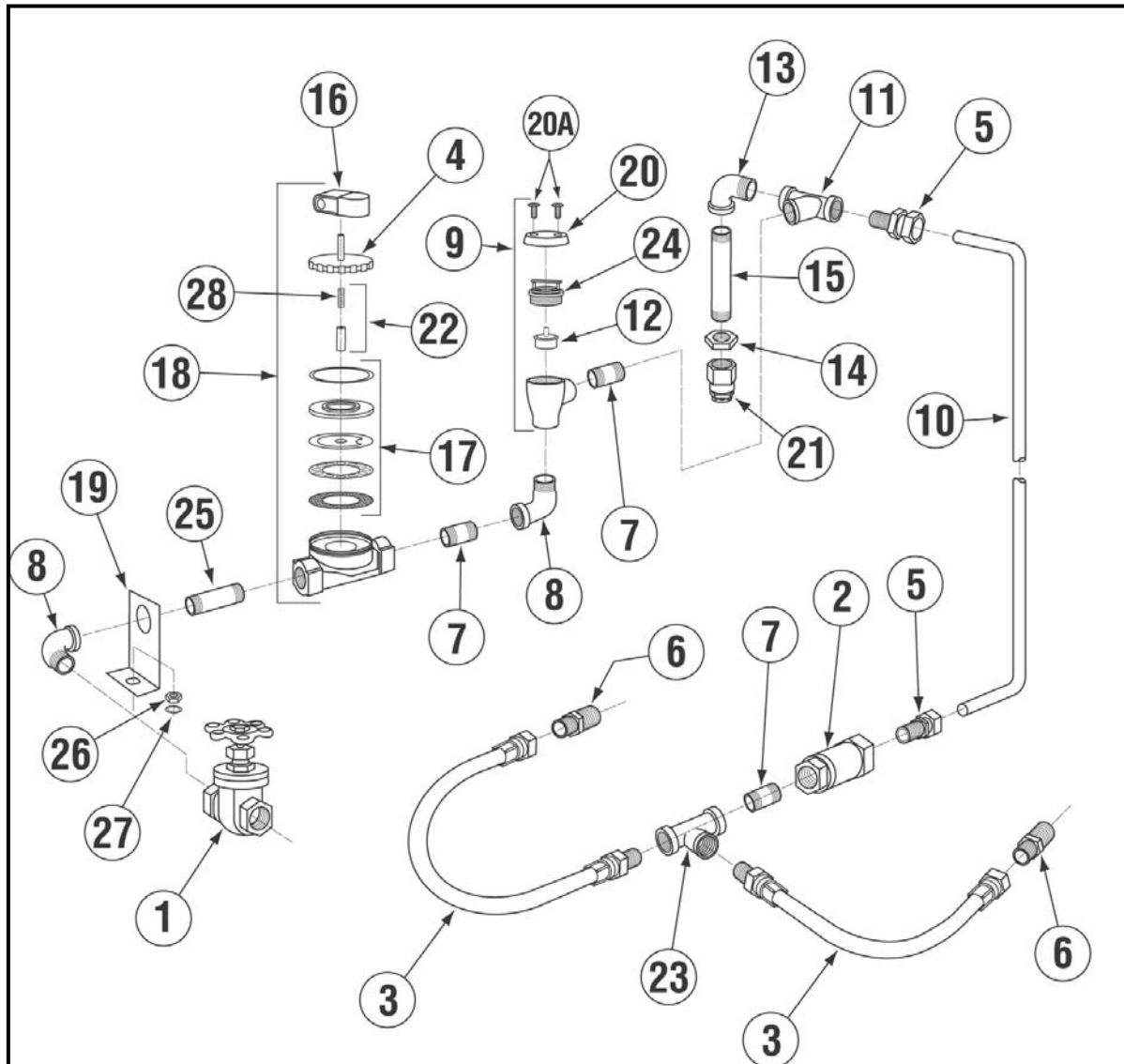
ITEM NO.	NO. REQ'D	P/N	DESCRIPTION
1	1	00700.00	3/4" Gate Valve
2	1	00715.00	Ball Check Valve
3	1	00798.00	SS Braided Hose
4	1	00705.20	Water Solenoid Valve Bonnet
5	2	00760.00	5/8" Comp x 1/2" MIP Fitting
6	1	00214.50	1/2" Comp x 3/8" MIP Fitting
7	2	00701.00	3/4" x 1-1/2" Nipple
8	2	00704.00	3/4" Street Elbow
9*	1	00710.50	3/4" Vacuum Breaker
10	1	00795.00	Flush Tube
11	1	00716.00	1/2" x 3/4" x 1/2" Tee
12	1	00735.00	Repair Kit (Vacuum Breaker)
13	1	00745.00	1/2" Street Elbow
14	2	00721.00	1/2" Jamb Nut

*P/N 00710.50 includes items 12, 20, 20A and 24

ITEM NO.	NO. REQ'D	P/N	DESCRIPTION
15	1	00747.10	1/2" x 5" Nipple
16	1	00738.10	Solenoid Coil, J/E
17	1	00706.00	Repair Kit (Water Solenoid)
18**	1	00705.00	3/4" Water Solenoid
19	1	01525.06	Plumbing Support Bracket
20	1	00739.50	Vacuum Breaker Cap SS
20A	2	00421.51	6-32 x 1/4" SS Pan Head Screw
21	1	00748.00	Sprinkler Head
22	1	00786.00	Water Solenoid Plunger, G Style 3/4" x 1/2"
23	1	00912.00	1/4"-20 Nylon Lock Nut
23A	1	00926.00	1/4" SS Washer
24	1	00735.60	Vacuum Breaker Bonnet, Brass
25	1	00781.00	3/4" x 3-1/2" Nipple, Brass
26	1	00706.10	3/4" Solenoid Plunger, Spring Only

**P/N 0705.00 includes items 4, 16, 17, 22 and 26

1.2.10. Plumbing System Assembly for Model B



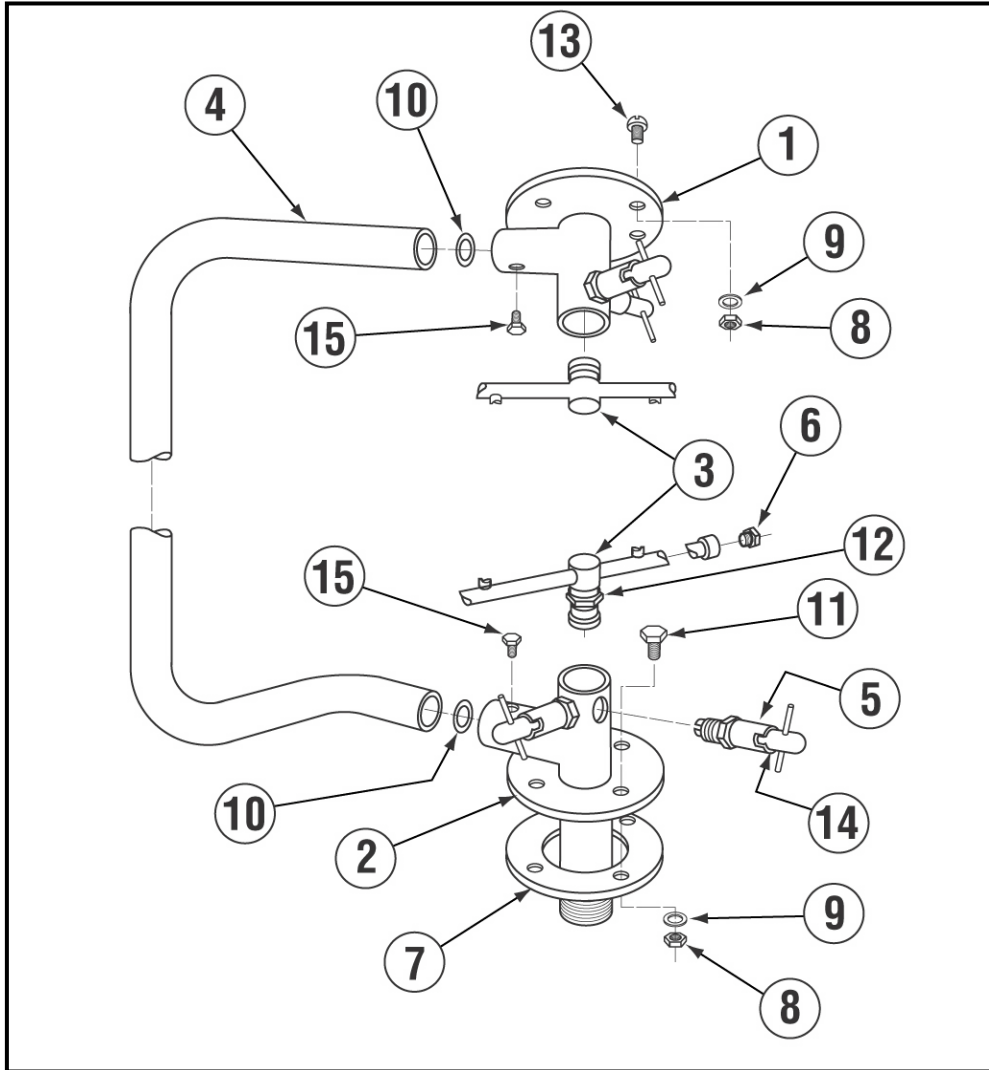
ITEM NO.	NO. REQ'D	P/N	DESCRIPTION
1	1	00700.00	3/4" Gate Valve
2	1	00715.00	Ball Check Valve
3	2	00798.00	SS Braided Hose
4	1	00705.20	Water Solenoid Valve Bonnet
5	2	00760.00	5/8" Comp x 1/2" MIP Fitting
6	2	00214.50	1/2" Comp x 3/8" MIP Fitting
7	3	00701.00	3/4" x 1-1/2" Nipple
8	2	00704.00	3/4" Street Elbow
9*	1	00710.50	3/4" Vacuum Breaker
10	1	00795.00	Flush Tube
11	1	00716.00	1/2" x 3/4" x 1/2" Tee
12	1	00735.00	Repair Kit (Vacuum Breaker)
13	1	00745.00	1/2" Street Elbow
14	2	00721.00	1/2" Jamb Nut

*P/N 00710.50 includes items 12, 20, 20A and 24

ITEM NO.	NO. REQ'D	P/N	DESCRIPTION
15	1	00747.10	1/2" x 5" Nipple
16	1	00738.10	Solenoid Coil, J/E
17	1	00706.00	Repair Kit (Water Solenoid)
18**	1	00705.00	3/4" Water Solenoid
19	1	01525.06	Plumbing Support Bracket
20	1	00739.50	Vacuum Breaker Cap SS
20A	2	00421.51	6-32 x 1/4" SS Pan Head Screw
21	1	00748.00	Sprinkler Head
22	1	00786.00	Water Solenoid Plunger, G Style 3/4" x 1/2"
23	1	00743.10	1/2" Tee FxFxF Brass
24	1	00735.60	Vacuum Breaker Bonnet, Brass
25	1	00781.00	3/4" x 3-1/2" Nipple, Brass
26	1	00912.00	1/4"-20 Nylon Lock Nut
27	1	00922.00	1/4" Lock Star Washer
28	1	00706.10	3/4" Solenoid Plunger Spring

**P/N 0705.00 includes items 4, 16, 17, 22 and 26

1.2.11. Spray System Assembly for Model AH



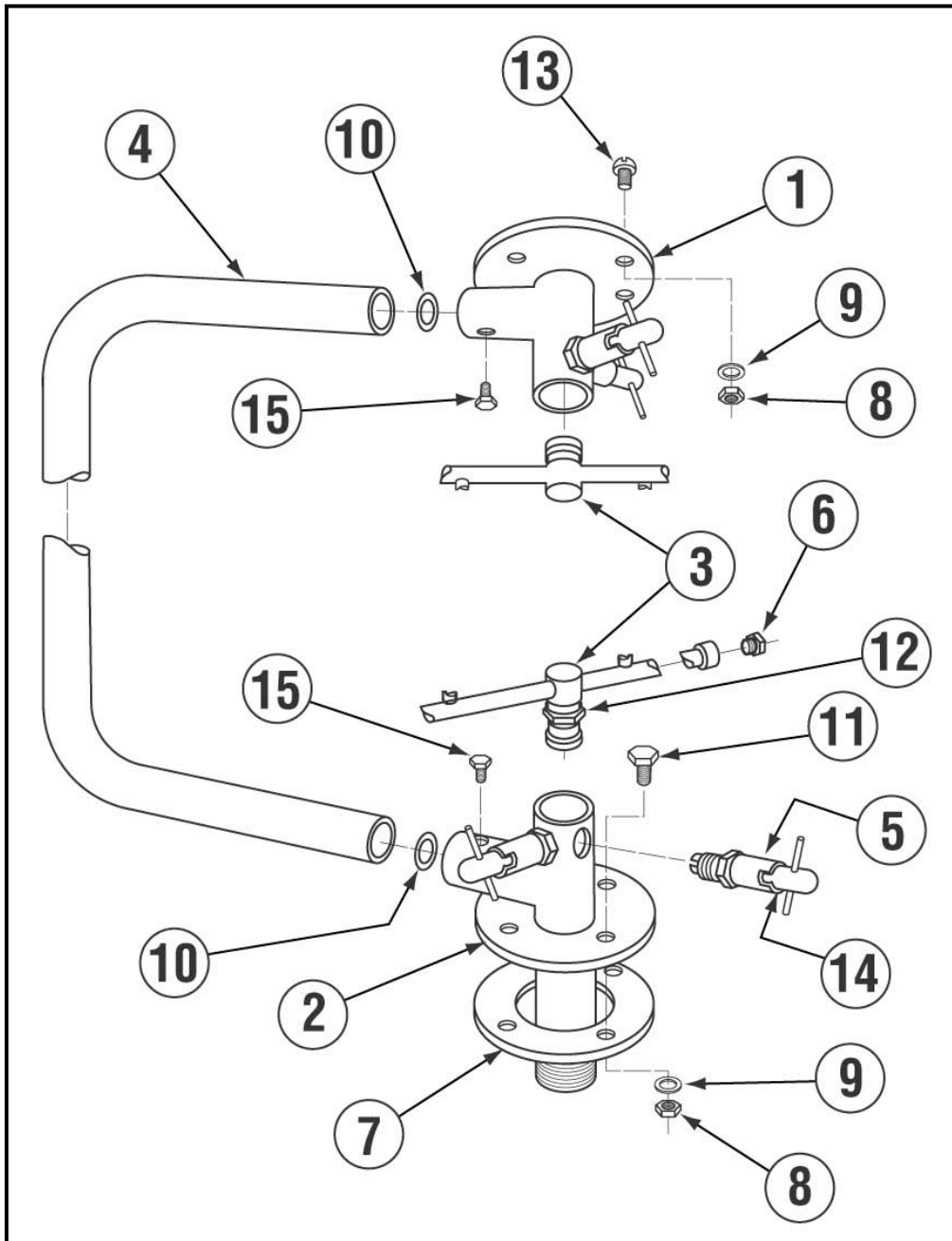
ITEM NO.	NO. REQ'D	P/N	DESCRIPTION
1	1	00361.10	Upper Spray Base, SS*
2	1	00360.10	Lower Spay Base, SS*
3	2	00304.06	Spray Arm A/C Series
4	1	00303.32	Manifold, AH
5	4	00363.00	Spray Base Lock Pin**
6	4	00308.50	Spray Arm End Plug
7	1	00302.00	Spray Base Gasket
8	8	00912.00	1/4 Nylon Lock Nut

ITEM NO.	NO. REQ'D	P/N	DESCRIPTION
9	16	00924.00	1/4" SS Washer
10	2	00302.51	O-Ring Spray Base
11	4	00914.10	1/4"-20 x 5/8" Hexhead Bolt
12	2	00341.00	Spray Arm Bearing
13	4	00929.00	1/4"-20 x 3/4" Trusshead Bolt
14	1	00363.10	Lock Arm Spring
15	2	00966.10	10-32 x 1/4" Hexhead Bolt

* Includes item 5, P/N 00363.00

** Includes item 14, P/N 00363.10

1.2.12. Spray System Assembly for Model B



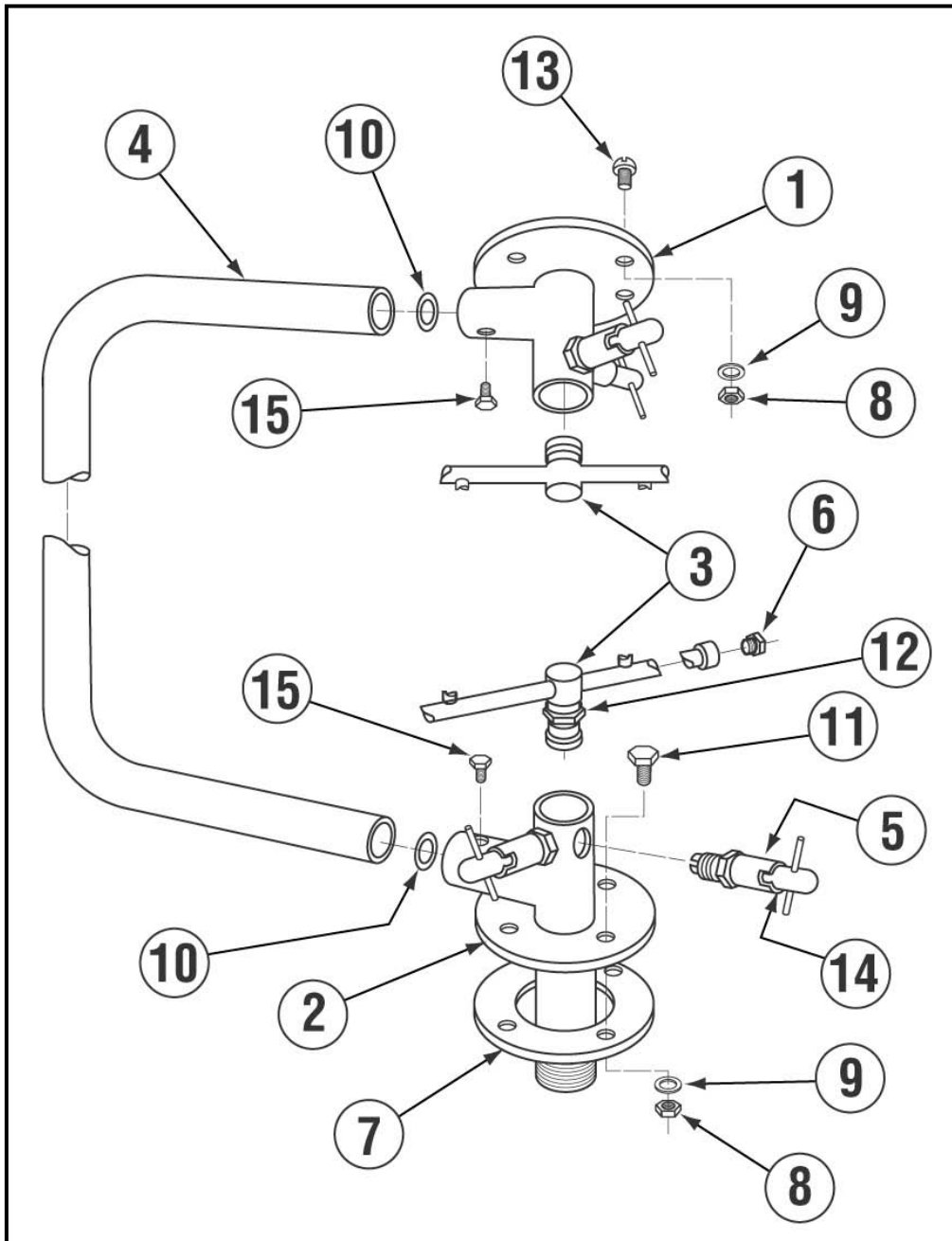
ITEM NO.	NO. REQ'D	P/N	DESCRIPTION
1	2	00361.10	Upper Spray Base, SS*
2	2	00360.10	Lower Spay Base, SS*
3	4	00304.03	Spray Arm B Series
4	2	00303.33	Manifold B
5	8	00363.00	Spray Base Lock Pin**
6	8	00308.50	Spray Arm End Plug
7	2	00302.00	Spray Base Gasket
8	16	00912.00	1/4 Nylon Lock Nut

ITEM NO.	NO. REQ'D	P/N	DESCRIPTION
9	32	00924.00	1/4" SS Washer
10	4	00302.51	O-Ring Spray Base
11	8	00914.10	1/4"-20 x 5/8" Hex Head Bolt
12	4	00341.00	Spray Arm Bearing
13	8	00929.00	1/4"-20 x 3/4" Truss Head Bolt
14	2	00363.10	Lock Arm Spring
15	4	00966.10	10-32 x 1/4" Hex Head Bolt

* Includes item 5, P/N 00363.00

** Includes item 14, P/N 00363.10

1.2.13. Spray System Assembly for Model C



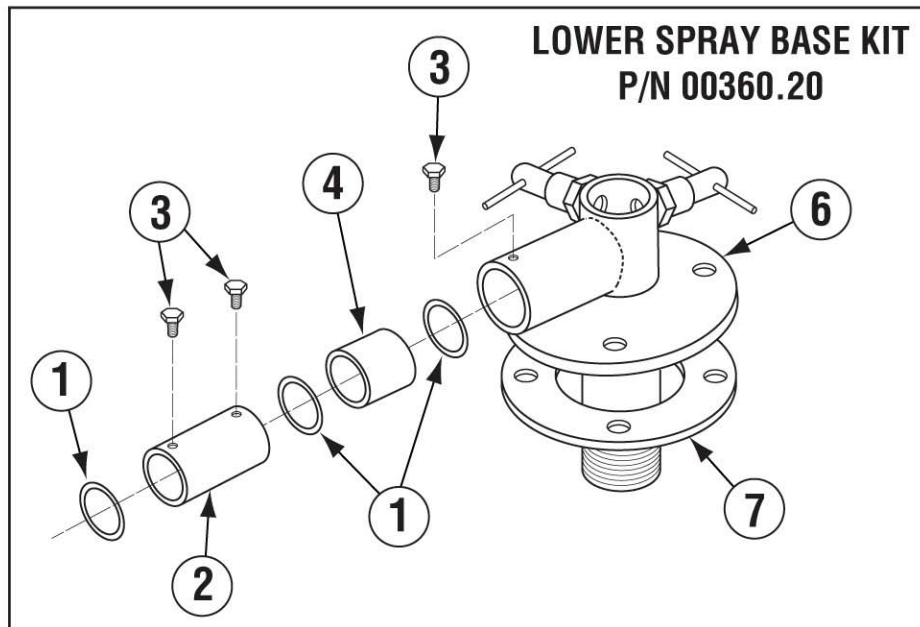
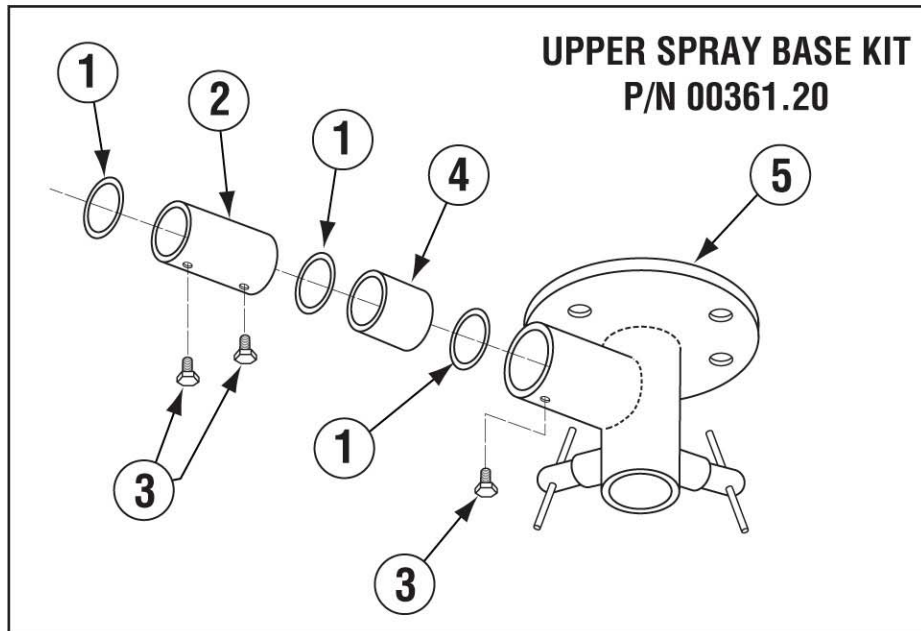
ITEM NO.	NO. REQ'D	P/N	DESCRIPTION
1	1	00361.10	Upper Spray Base, SS*
2	1	00360.10	Lower Spay Base, SS*
3	2	00304.06	Spray Arm A/C Series
4	1	00303.34	Manifold, C
5	4	00363.00	Spray Base Lock Pin**
6	4	00308.50	Spray Arm End Plug
7	1	00302.00	Spray Base Gasket
8	8	00912.00	1/4 Nylon Lock Nut

ITEM NO.	NO. REQ'D	P/N	DESCRIPTION
9	16	00924.00	1/4" SS Washer
10	2	00302.51	O-Ring Spray Base
11	4	00914.10	1/4"-20 x 5/8" Hexhead Bolt
12	2	00341.00	Spray Arm Bearing
13	4	00929.00	1/4"-20 x 3/4" Trusshead Bolt
14	1	00363.10	Lock Arm Spring
15	2	00966.10	10-32 x 1/4" Hexhead Bolt

* Includes item 5, P/N 00363.00

** Includes item 14, P/N 00363.10

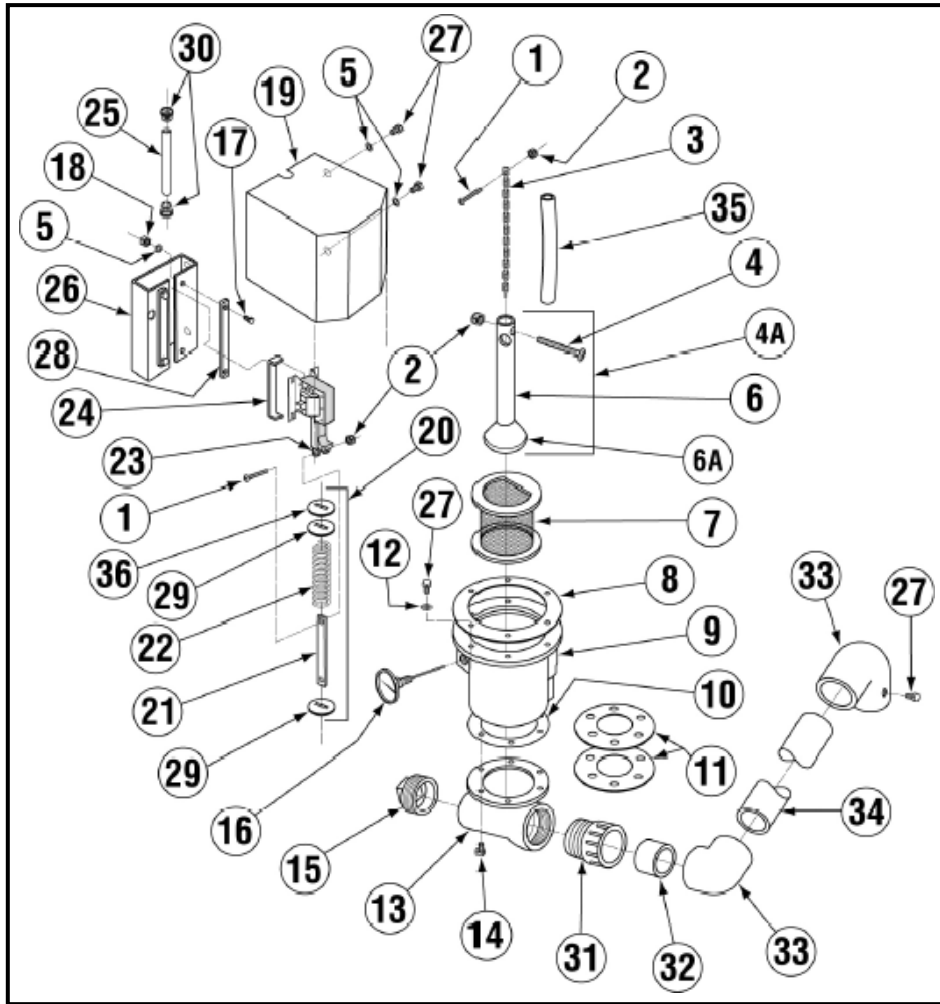
1.2.14. Spray Base Conversion Kit



ITEM NO.	NO. REQ'D	P/N	DESCRIPTION
1	6	00302.51	O-Ring
2	2	00344.00	Coupling Spacer
3	6	00966.10	10-32 x 1/4" Hexhead Bolt
4	2	00344.20	Coupling Spacer

ITEM NO.	NO. REQ'D	P/N	DESCRIPTION
5	1	00361.10	Upper Spray Base
6	1	00360.10	Lower Spray Base
7	1	00302.00	Spray Base Gasket

1.2.15. Drain System Assembly for Model AH and C



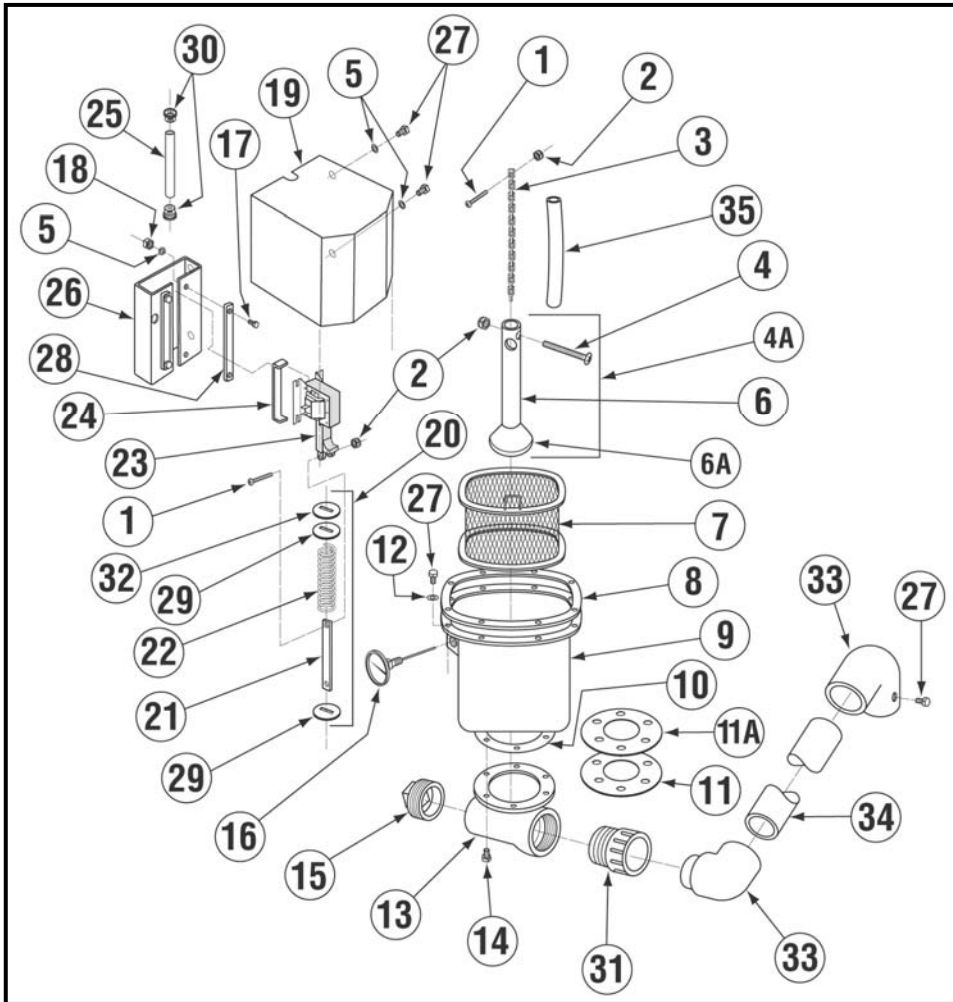
ITEM NO.	NO. REQ'D	P/N	DESCRIPTION
1	2	03812.00	8-32 x 5/8" Pan Head Screw
2	3	00927.00	8-32 Nylon Lock Nut
3	1	00110.07	Chain
4	1	00902.00	8-32 x 1-1/4" Pan Head Screw
4A*	1	00121.00	Drain Ball Assy.
5	6	00922.00	1/4" Lock Washer, Star
6	1	00121.51	Drain Ball Tube
6A	1	00121.52	Drain Ball Dome, Silicon
7	1	00115.06	Drain Screen Assembly
8	1	00112.06	Drain Sump Gasket
9	1	00111.06	Drain Sump
10	1	00114.00	Drain-Tee Gasket
11	1	00124.50	SS Drain Ball Seat (Optional)
	(Opt)	00125.00	Rubber Drain Ball Seat (Optional)
12	6	00924.00	1/4" SS Washer
13	1	00113.50	Drain-Tee
14	6	00920.00	5/16"-18 x 3/4" Screw
15	1	00130.00	1-1/2" PVC Drain-Tee End Plug
16	1	00120.00	Thermometer
17	4	00914.00	1/4"-20 x 3/4" Hex Head Screw

*Includes items 6 and 6A

ITEM NO.	NO. REQ'D	P/N	DESCRIPTION
18	4	00915.00	1/4"-20 Nut
19	1	01507.50	Solenoid Cover, A, B, C
20**	1	00122.00	Drain Solenoid Spring Assembly
21	1	01551.00	Solenoid Link
22	1	00105.00	Solenoid Spring
23	1	00100.00	Solenoid
24	1	01550.00	Solenoid Stop
25	1	00464.07	3/8" Solenoid Tubing
26	1	00102.00	Solenoid Base
27	9	00906.00	1/4"-20 x 1/2" Hex Head Bolt
28	2	00103.00	Solenoid Bar
29	2	00106.00	Split Washer (Large)
30	2	00936.00	312-250 Shorty Bushing
31	1	01313.00	2" PVC Slip x MPT Adapter
32	1	05030.10	2" x 3" PVC Tubing
33	2	01311.00	2" 90 Deg. Elbow, Slip x Slip
34	1	05030.20	2" x 8" PVC Tubing
35	1	41019.11	1/2" ID x 9" Clear Hose
36	1	00105.20	Drain Solenoid Linkage Washer

**Includes items 1, 2, 21, 22, 29 and 36

1.2.16. Drain System Assembly for Model B



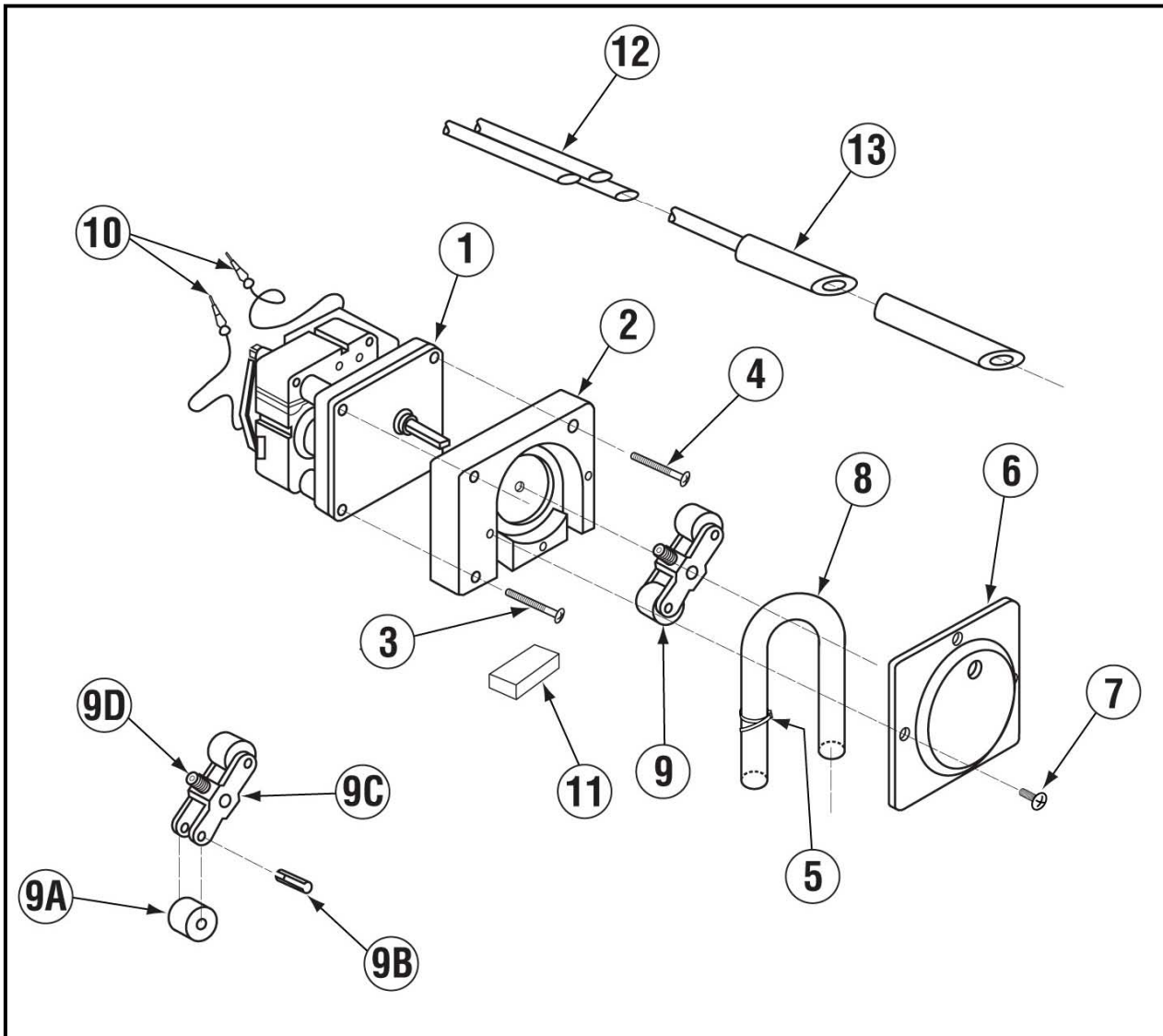
ITEM NO.	NO. REQ'D	P/N	DESCRIPTION
1	2	03812.00	8-32 x 5/8" Pan Head Screw
2	3	00927.00	8-32 Nylon Lock Nut
3	1	00110.07	Chain
4	1	00902.00	8-32 x 1-1/4" Pan Head Screw
4A*	1	00121.00	Drain Ball Assy.
5	6	00922.00	1/4" Lock Washer, Star
6	1	00121.51	Drain Ball Tube
6A	1	00121.52	Drain Ball Dome, Silicon
7	1	00115.30	Drain Sump Screen B
8	1	00112.03	Drain Sump Gasket B
9	1	00111.03	Drain Sump B
10	1	00114.00	Drain-Tee Gasket
11	1 (Opt)	00124.50 00125.00	SS Drain Ball Seat (Optional) Rubber Drain Ball Seat (Optional)
12	8	00924.00	1/4" SS Washer
13	1	00113.50	Drain-Tee
14	6	00920.00	5/16"-18 x 3/4" Screw
15	1	00130.00	1-1/2" PVC Drain-Tee End Plug
16	1	00120.00	Thermometer

*Includes items 6 and 6A

ITEM NO.	NO. REQ'D	P/N	DESCRIPTION
17	4	00914.00	1/4"-20 x 3/4" Hex Head Screw
18	4	00915.00	1/4"-20 Nut
19	1	01507.50	Solenoid Cover, A, B, C
20**	1	00122.00	Drain Solenoid Spring Assembly
21	1	01551.00	Solenoid Link
22	1	00105.00	Solenoid Spring
23	1	00100.00	Solenoid
24	1	01550.00	Solenoid Stop
25	1	00464.07	3/8" Solenoid Tubing
26	1	00102.00	Solenoid Base
27	11	00906.00	1/4"-20 x 1/2" Hex Head Bolt
28	2	00103.00	Solenoid Bar
29	2	00106.00	Split Washer (Large)
30	2	00936.00	3/12-250 Shorty Bushing
31	1	01313.00	2" PVC Slip x MPT Adapter
32	1	00105.20	Drain Solenoid Linkage Washer
33	2	01311.00	2" 90 Deg. Elbow, Slip x Slip
34	1	05030.20	2" x 8" PVC Tubing
35	1	41019.11	1/2" ID x 9" Clear Hose

**Includes items 1, 2, 21, 22, 29 and 32

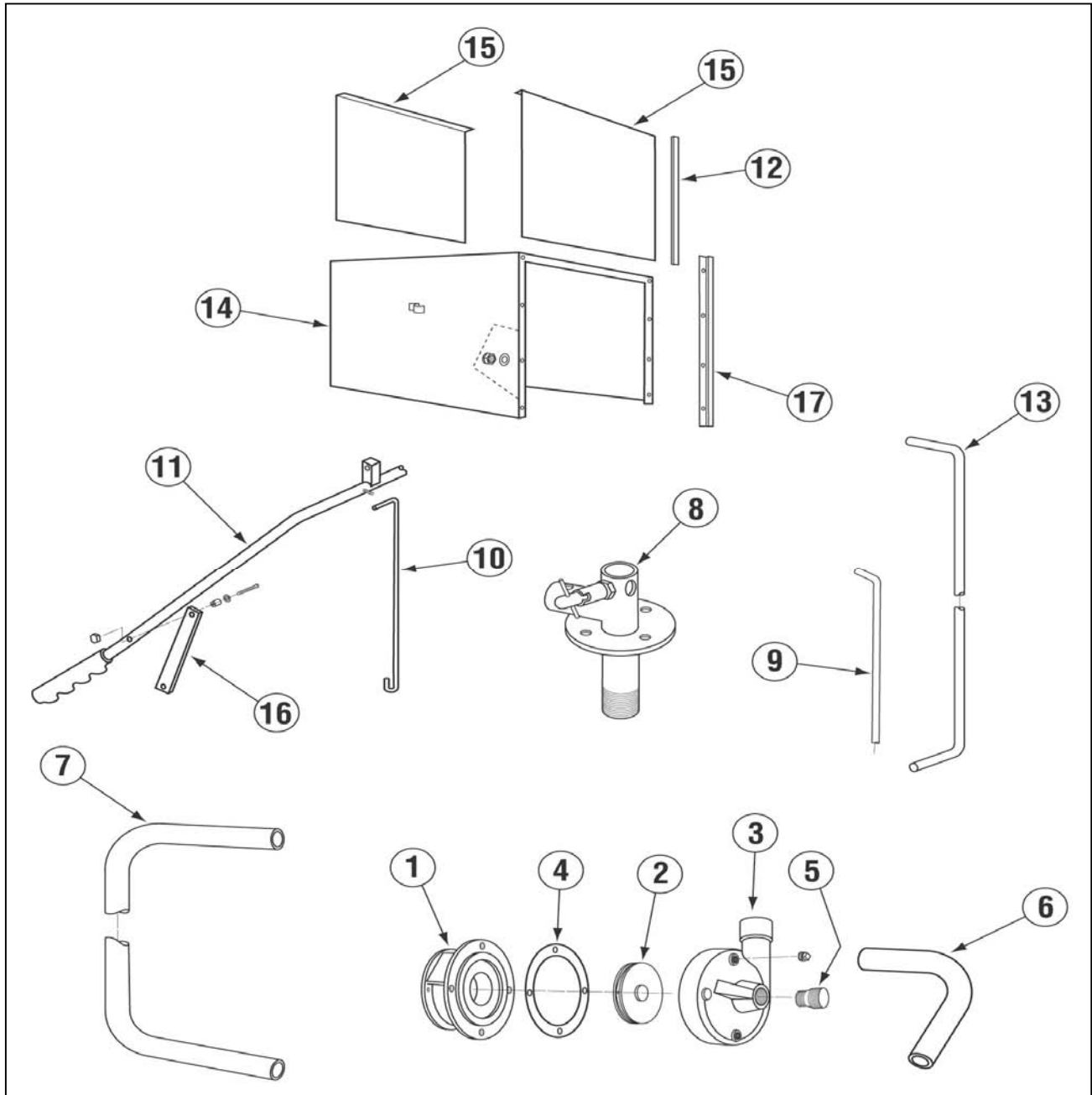
1.2.17. Peristaltic Pump Assembly



ITEM NO.	NO. REQ'D	P/N	DESCRIPTION
1	1	00416.00	Peristaltic Pump Motor
2	1	00417.00	Peristaltic Pump Block
3	2	00919.00	10-32 x 1-1/2" Pan Head Screw
4	1	00918.00	10-32 x 1-1/2" Fillister Head Screw
5	1	00932.00	Twist Tie
6	1	00418.00	Peristaltic Pump Block Cover
7	4	00911.00	8-32 x 1/2" Pan Head Screw
8	1	00435.00	Squeeze Tube
9	1	00419.00	2-Bearing Rotor Assembly
9A	2	00423.00	Rotor Bearing

ITEM NO.	NO. REQ'D	P/N	DESCRIPTION
9B	2	00422.00	Rotor Bearing Pin
9C	1	00424.00	Rotor Bearing Carriage
9D	1	00935.00	1/4-20 x 1/4" Allen Screw
10	2	00448.00	Barrel Connector, Male
11	1	00420.00	Felt Pad (optional)
12	1	00443.00	Tube Stiffener
13	1	00425.51	Chemical Tubing, Blue
		00425.53	Chemical Tubing, Red
		00425.54	Chemical Tubing, White

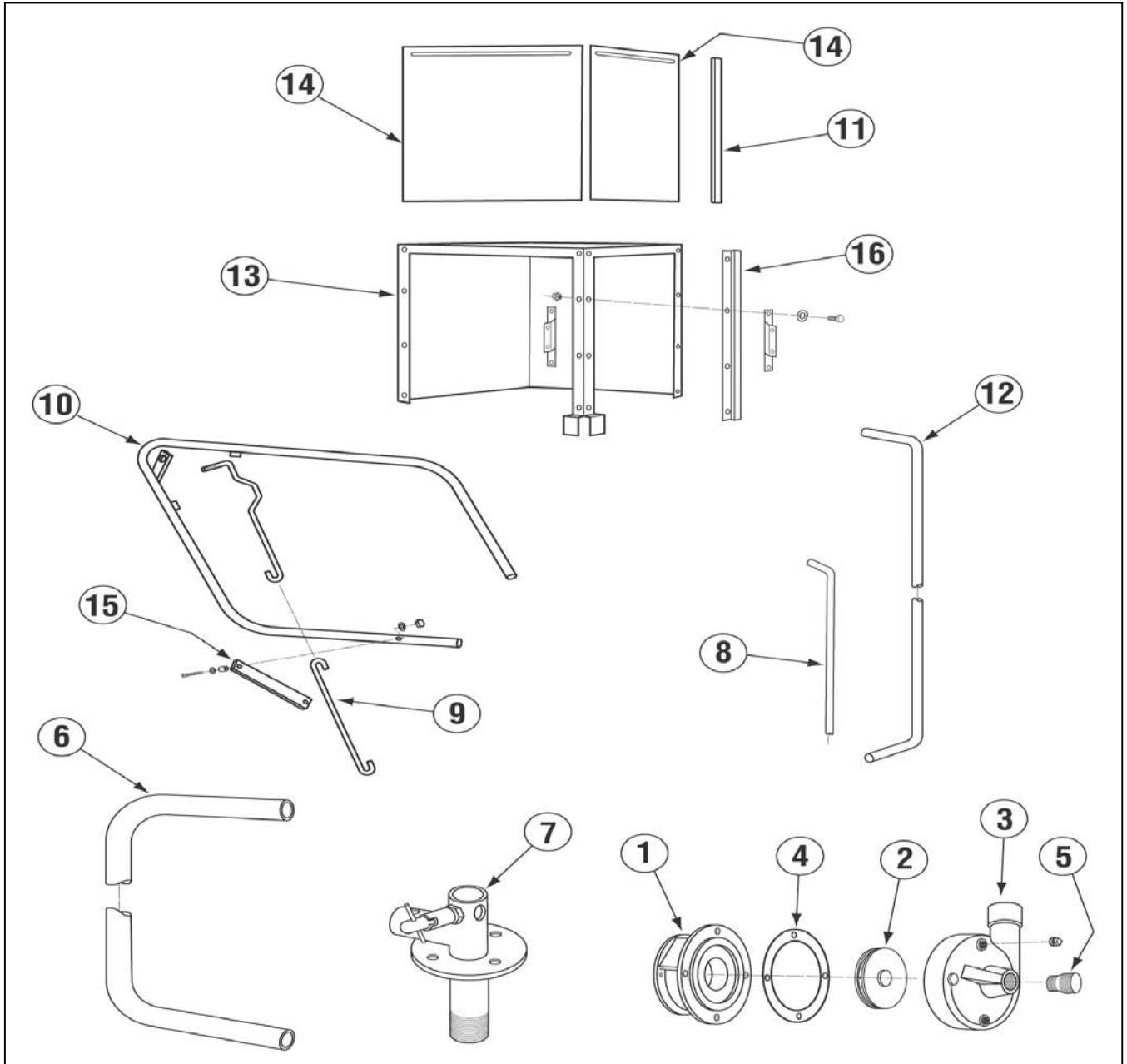
1.2.19. Unique Parts For Scullery B



ITEM NO.	NO. REQ'D	P/N	DESCRIPTION
1	2	00202.00	Pump Base
2	2	00203.05	(Impeller) 4 1/2"
3	2	00204.00	Pump Cover Large
4	2	00205.00	Pump Gasket
5	2	00212.50	1 1/2" - 1 1/4" Adapter
6	1	00246.27	Suction Pipe Scull B Right
7	2	00303.23	Manifold Scullery B
8	2	00364.10	Lower Spray Base LP Short Assy
9	1	00464.23	SS Tubing For Sol. Wire (Scull B)

ITEM NO.	NO. REQ'D	P/N	DESCRIPTION
10	2	00603.63	Door Spring Ext Rod UW & Scull
11	1	00613.23	Door Handle (Scullery)
12	4	00636.30	EZ Glide Plastic Dr Guide 31 3/4"
13	1	00795.13	Flush Tube (Scullery B)
14	1	01500.23	Wrapper (Scullery-B)
15	2	01506.20	Door (Scullery & CWS)
16	2	01553.20	Door Handle Link (S)
17	4	01554.50	EZ Glide Door Guide SS 33"

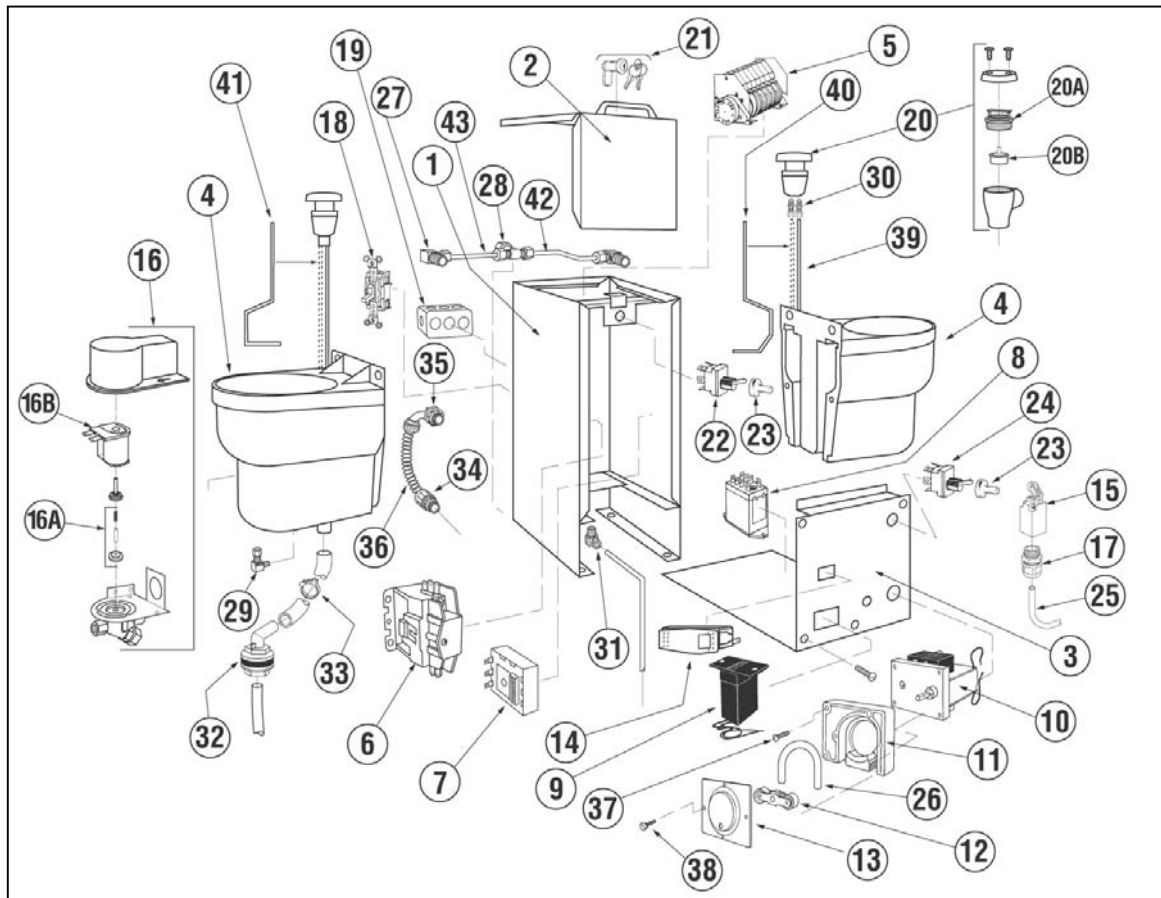
1.2.20. Unique Parts For Scullery C



ITEM NO.	NO. REQ'D	P/N	DESCRIPTION
1	1	00202.00	Pump Base
2	1	00203.05	(Impeller) 4 1/2"
3	1	00204.00	Pump Cover Large
4	1	00205.00	Pump Gasket
5	1	00212.50	1 1/2" - 1 1/4" Adapter
6	1	00303.24	Manifold Scullery Corner
7	1	00364.10	Lower Spray Base LP Short Assy
8	1	00464.24	SS Tubing For Sol. Wire (Scull C)

ITEM NO.	NO. REQ'D	P/N	DESCRIPTION
9	2	00604.24	Door Extension Link (Scull C)
10	1	00613.34	Door Handle Scullery Corner
11	4	00636.30	EZ Glide Plastic Dr Guide 31 3/4"
12	1	00795.14	Flush Tube (Scullery C)
13	1	01500.24	Wrapper (Scullery-C)
14	2	01506.20	Door (Scullery & CWS)
15	2	01553.20	Door Handle Link (S)
16	4	01554.50	EZ Glide Door Guide SS 33"

1.3. Optional Solid Bowl (Exploded View)

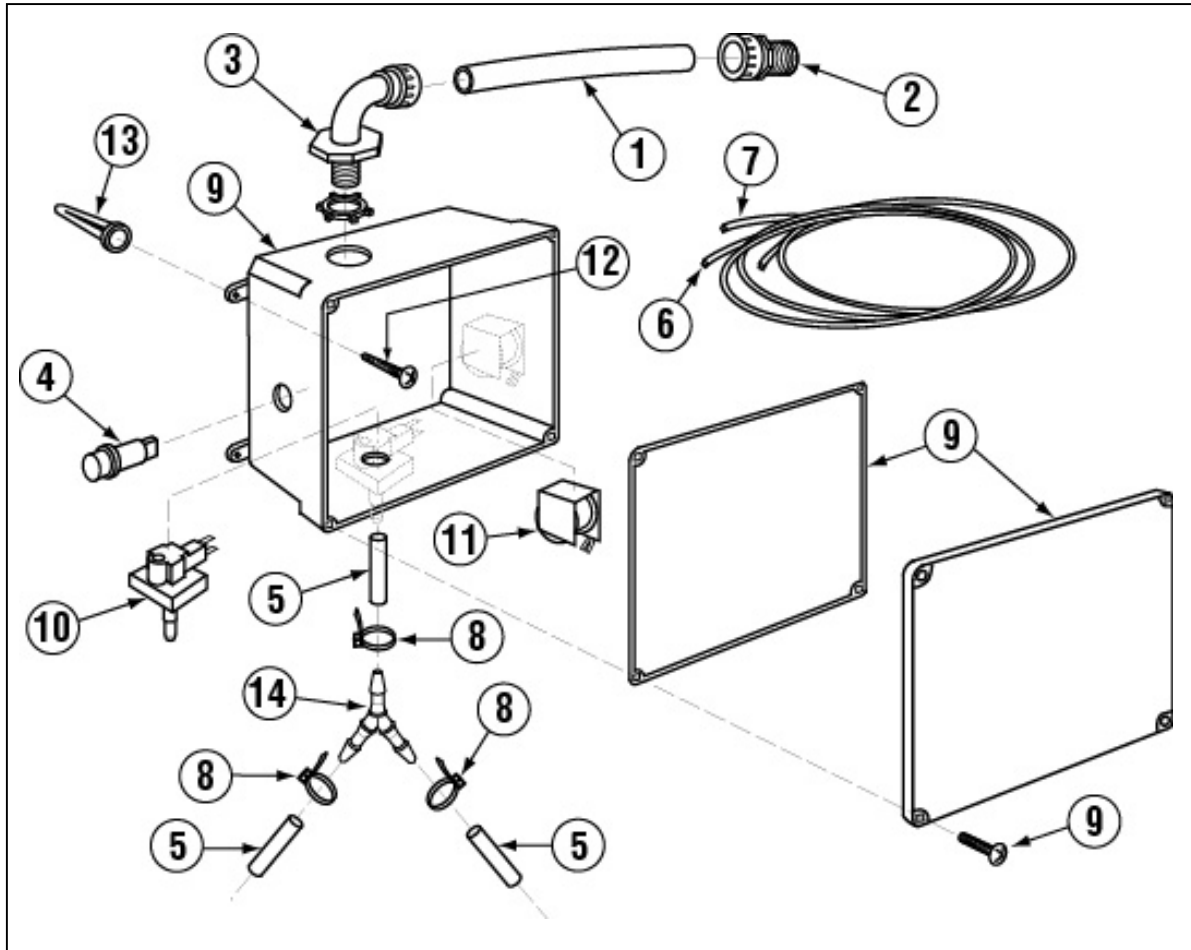


ITEM NO.	NO. REQ'D	P/N	DESCRIPTION
1	1	01503.20	Solid Bowl Control Box
2	1	01504.20	Solid Bowl Control Box Lid
3	1	01503.25	Solid Bowl Slideout Tray
4	2	00461.00	Solid Bowl Dm #6000
5	1	00407.80	Timer, 90-sec. 8-cam
6	1*	00404.82	Motor Contactor, 120V <i>*No. Req'd for Model B is 2</i>
7	1	00630.50	Solid Detergent/Rinse Timer Relay
8	1	00631.00	Ice Cube Relay
9	1	03408.50	Counter (Panel Mount, Small)
10	1	00416.00	Peri-Pump Motor
11	1	00417.00	Peri-Pump Block
12	1	00419.00	Peri-Pump Rotor
13	1	00418.00	Peri-Pump Cover
14	1	00421.40	Start/Fill Switch with Amber Light
15	1	00562.00	Roller Door Switch
16	2	41015.00	Water Solenoid Valve, 1/4", 120V
16A	2	41015.40	1/4" Water Solenoid Valve Repair Kit
16B	2	41015.60	1/4" Water Solenoid Valve Coil
17	1	00562.60	Connector for Roller Switch
18	1	00433.10	Master Switch, 20 Amp
19	1	03420.00	Electrical Bell Box
20	2	40110.50	Solid Bowl, 1/4" Vacuum Breaker
20A	2	40110.25	Vacuum Breaker Bonnet

ITEM NO.	NO. REQ'D	P/N	DESCRIPTION
20B	2	40110.10	Vacuum Breaker Repair Kit
21	1	00449.00	Lock and Key
22	1	00475.00	Delimiter Switch
23	2	00470.10	Toggle Switch Rubber Boot
24	1	03470.00	Primer Switch
25	1	00546.00	18 AWG Switch Cord, 3 Feet
26	1	00435.00	Squeeze Tube
27	4	40112.00	1/4" Comp x 1/4" MIP Elbow
28	1	40116.10	1/4" TB x TB x TB Comp Tee
29	2	40118.00	1/4" Comp 1/8" MIP 90 Deg Elbow
30	4	40116.00	1/4" x 1/4" MIP Fitting
31	1	00436.00	3/8" 90 Deg Comp x MIP
32	2	40114.00	77 Deg Elbow, Bulkhead
33	2	40111.00	7/8" to 1" Snap Hose Clamp
34	4	00401.50	3/8" Black Nylon Straight Connector
35	2	00402.00	St. 90 Deg 3/8" Connector
36	1	00400.50	3/8" Black Flex Tubing, 2 Feet
37	2	00919.00	10-32 x 1-1/2" Panhead Bolt
38	4	00911.00	8-32 x 1/2" Panhead Screw
39	2	40110.30	1/4" Water Line, Vac. Breaker To Bowl
40	1	40110.35	1/4" Water Line, Wtr Sol. To Vac. Brk (R)
41	1	40110.40	1/4" Water Line, Wtr Sol. To Vac. Brk (L)
42	1	41016.00	1/4" Water Line, Tee to Water Sol. (R)
43	1	41016.10	1/4" Water Line, Tee to Water Sol. (L)

1.4. Optional Sani Alarm (Exploded View)

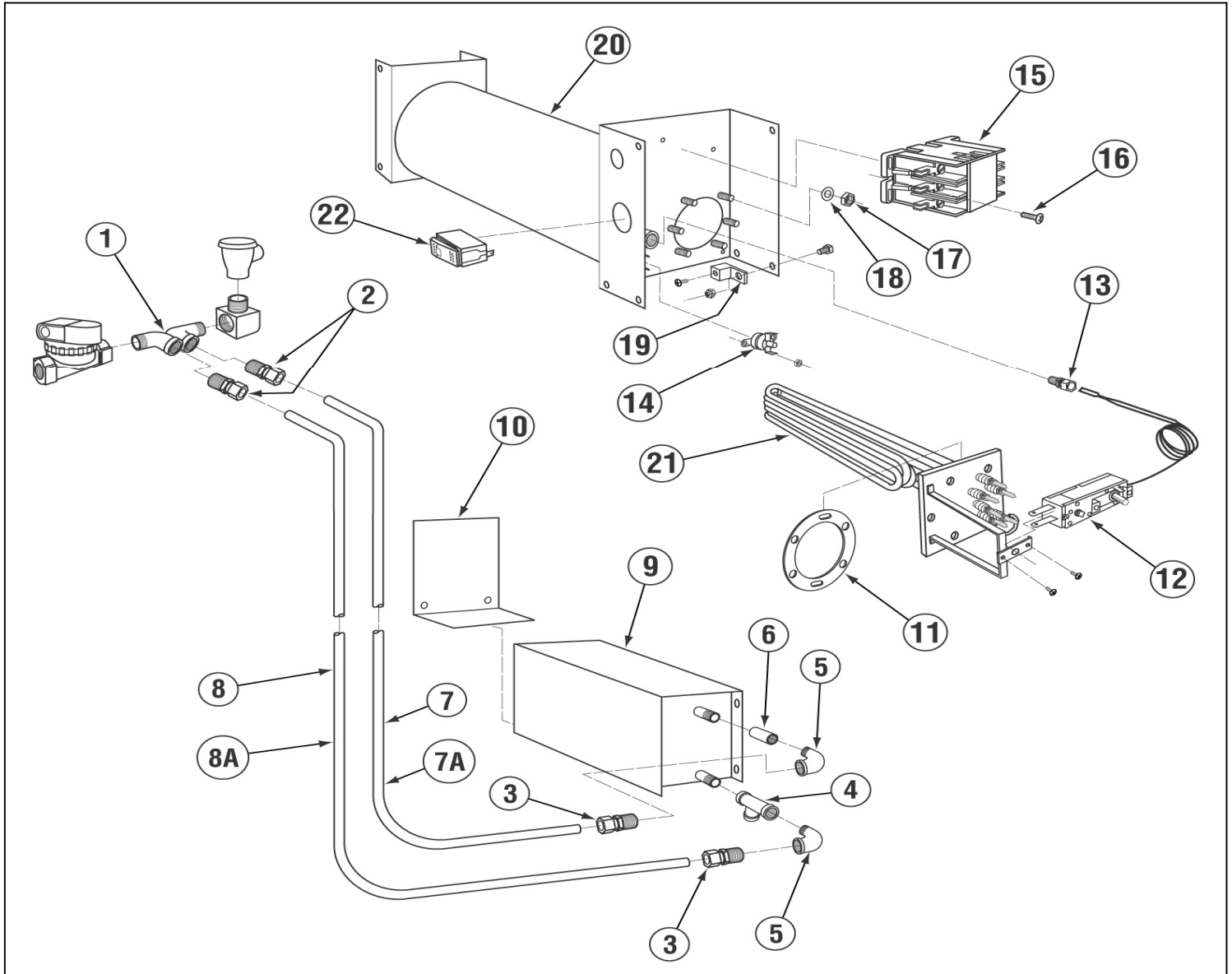
Part Number 12508.00



ITEM NO.	NO. REQ'D	P/N	DESCRIPTION
1	3	00400.00	Conduit, 3/8" Sealtite
2	1	00401.00	S.T. 3/8" Straight Connector
3	1	00402.00	S.T. 90 Degree 3/8" Connector
4	1	00406.00	Control Box Light, .5" Diameter, Red
5	1	00435.00	Squeeze Tube, 8"
6	1	00521.00	Wire, 18 Gauge, Orange, 6 ft.
7	1	00531.00	Wire, 18 Gauge, White, 6 ft.

ITEM NO.	NO. REQ'D	P/N	DESCRIPTION
8	5	00931.00	Wire Tie, Small
9	1	12510.00	Sanitizer Alarm Box Assembly
10	1	12511.00	Sanitizer Low Level Vacuum Switch
11	1	12512.00	Sanitizer Alarm Buzzer, 120 Volts
12	4	40126.10	#10 x 3/4" Sheet metal Screw
13	4	40127.00	Wall Anchors
14	1	00426.00	Y Hose Connector, 3/16"

1.5. Temp-Sure Heater.



ITEM NO.	NO. REQ'D	P/N	DESCRIPTION
1	1	13633.20	Booster Heater 3/4" in/out Adapter
2	2	00761.00	5/8" Comp. x 3/4" MIP Adapter
3	2	00760.00	5/8" Comp. x 1/2" MIP Adapter
4	1	00743.10	1/2" Tee FxFxF Brass
5	1	13620.00	1/2" S.S. Street Elbow
6	1	13618.00	1/2" S.S. Coupling
7	1	00793.00	Tempsure Discharge Line for AH
7A	1	00793.10	Tempsure Discharge Line for C
8	1	00794.00	Tempsure Intake Line for AH
8A	1	00794.10	Tempsure Intake Line for C
9	1	01594.00	3 Sided Heater Tank Shield
10	1	01594.10	Booster Heater Tank Access Cover

ITEM NO.	NO. REQ'D	P/N	DESCRIPTION
11	1	13417.47	CMA 180 Booster Heater Gasket
12	1	13417.89	Thermostat for 12 KW Heater (EGO)
13	1	00214.30	1/4" Comp. x 3/8" MIP Ftg.
14	1	17523.51	Hi-Limit Switch 250 Deg.
15	1	13003.17	Contactora 60 Amp 3 Pole
16	2	00941.00	10-32x5/8" Panhead Screw
17	14	00912.00	1/4"-20 Nylon Lock Nut
18	6	00924.00	1/4" S.S. Washer
19	1	13426.50	Ground Block
20	1	01595.20	Heater Tank for Tempsure
21	1	13417.67	Immersion Heater 12 KW 3ph/1ph
22	1	00421.87	CMA-44 Rocker Switch White